



R600RD MAX
600RD

INSTALLATION MANUAL (EU - ENGLISH VERSION)

PRODUCTION NUMBER

The production number is located on the back of the oven and on the first page of the user manual.



THIS MANUAL APPLIES TO THE FOLLOWING MODEL:

- R600RD MAX (RAIS) 600RD (Attika)

R600RD MAX / 600RD



CONTENT

PRODUCTION NUMBER	2
INSTALLATION MANUAL	4
Malfunctions	5
TECHNICAL DATA	6
Specifications	6
INSTALLATION DISTANCE	8
Installation distances at combustible walls	8
Installation distances for non-combustible walls	8
DIMENSIONAL SKETCHES	9
INSTALLATION	10
Recycling of packaging	10
Packaging at delivery	11
Height adjustment	11
Installation of smoke outlet in top outlet	12
Changing the chimney connection	12
Mounting the top plate	12
Removing the combustion chamber lining	13
Cleaning and maintenance	13
EXTERNAL AIR CONNECTION - AIRSYSTEM	14
Air connection on the back	14
Air connection at the bottom	15

INSTALLATION GUIDE

Thank you for choosing your new RAIS or ATTIKA product! This installation instructions manual will ensure that your stove is installed correctly and that it will provide you with comfort and pleasure for many years to come.

GENERAL

It is important to correctly install the stove out of consideration for both the environment and personal safety. The installation must comply with all local rules and regulations, including those that refer to national and European standards. A certified chimney sweeper should be contacted before set-up. No unauthorised alterations may be made to the stove.

Upon receipt, inspect the stove for any transport damage. Do not install the oven until you have checked it thoroughly.

FLOOR CONSTRUCTION

The floor structure must be able to support the weight of the stove and a chimney, if required. If the existing floor structure does not meet this requirement, suitable measures must be taken (e.g. installation of a load distribution plate). If in doubt, contact a building expert.

National and local regulations must be complied with, including the size of the non-flammable plate that must cover the flammable floor in front of the stove to protect the floor from falling embers.

DISTANCE TO COMBUSTIBLE MATERIAL

The stove must be positioned at a safe distance from flammable material. Due to risk of fire, flammable items (e.g. furniture) may not be positioned closer to the insert than specified in the sections on placement. When deciding where to install your RAIS/ATTIKA stove, you should consider being able to heat other rooms in your home to get the most out of your new stove.

VENTILATING SYSTEMS

The stove needs permanent and sufficient air to operate safely and efficiently. A permanent air supply can be installed in the room for the stove's combustion air - through the AirSystem connection. Under no circumstances should this air supply be closed during operation. Note that any mechanical extraction such as a cooker hood can reduce the air supply. The stove has an air consumption of min. 17.6 m³/h.

CHIMNEY

As a minimum, the chimney must be constructed of T400-N1-D-50050-G100 flue pipe, and be tall enough that the draft conditions are in order, i.e. -12 pascal to -18 pascal. If the recommended chimney draught cannot be achieved, problems of smoke puffing from the door may arise when heating. The collar is 147 mm in diameter. Remember: there must be unobstructed access to the access door on the chimney.

If the draught is too strong, it is advisable to equip the chimney with a regulating damper. If a regulating damper is fitted, you must ensure that there is a free flow-through area of at least 20 cm² when the regulating damper is closed.

The length of the chimney, calculated from the top of the stove should not be less than 3 metres and must be at least 80 cm above the roof ridge. If the chimney is placed on the side of the house, the top of the chimney must never be lower than the roof ridge or the roof's highest point. Note that there are often national and local regulations relating to houses with thatched roofs.

Always make sure to comply with applicable standards (EN 15287-1:2023 and EN 15287-2:2023) for chimney installation. It is also important to check the correct functioning of the chimney according to EN 13384-2:2015+A1:2019 based on the individual solution on site.

ATTENTION!

The appliance shall not be installed with ventilating systems which have pressure below -15 Pa.





ATTENTION!

Before the stove may be put to use, the set-up must be reported to your local chimney sweeper.



ATTENTION!

RAIS/ATTIKA recommends having the insert installed by an authorised technician. Please ask your dealer for further information.

MALFUNCTIONS

If you are experiencing disturbances, some of the most common causes are listed below.

SMOKE SPILLAGE AROUND THE DOOR

- This may be due to insufficient draft in the chimney <math><12\text{Pa}</math>
- Check whether the flue or chimney is blocked
- Check whether the hood is switched on and, if so, switch it off and open a window / door near the stove for a short period.

SOOT ON GLASS

- Excessively wet firewood
- The damper regulation is too low
- Ensure proper heating of the stove when lighting, prior to closing the door

STOVE IS BURNING TOO STRONG

- Leak around the door seal
- Chimney draft too large $>18\text{ Pa}$, draft regulator should be installed.
- The damper is not regulated down enough

STOVE IS BURNING TOO WEAK

- Insufficient wood
- Insufficient air supply for room ventilation
- Unclean smoke flue
- Leaky chimney
- Leakage between chimney and flue

INSUFFICIENT DRAUGHT IN THE CHIMNEY

- Insufficient temperature difference, e.g., due to poorly insulated chimney
- High outside temperature, e.g., in the summer
- Absence of wind
- The chimney is too low and sheltered
- Leaks or other false air in the chimney
- Chimney and flue clogged
- The house lacks ventilation (lack of fresh air supply)
- Negative smoke extraction (poor draft conditions)

With a cold chimney or severe weather conditions, the poor draught can be compensated by supplying the stove with more air than usual.

If the interruptions persists, we recommend that you contact your RAIS dealer or chimneysweep.

SPARE PARTS


You can view the spare parts we offer by scanning the QR code if you need new ones for your product. The warranty disappears if replacement parts are used that are not recommended by RAIS. Your RAIS dealer is able to provide spare parts for all interchangeable parts.



SPECIFICATIONS

 DTI Ref.: 300-ELAB-2700-EN
 300-ELAB-2686-EN

 R60ORD MAX
 60ORD

		Nominal	
		Wood logs	Fuel
P	kW	7,9	Nominal heat output
P _{SH}	kW	7,9	Space heat output
η	%	79	Efficiency
η _s	%	69	Seasonal space heat efficiency
EEL	-	105	Class A Energy efficiency index
CO (13% O ₂)	mg/Nm ³	958	CO emission at 13 % oxygen content
NO _x (13% O ₂)	mg/Nm ³	77	NO _x emission at 13 % oxygen content
OGC (13% O ₂)	mg/Nm ³	43	Hydrocarbon emission at 13 % oxygen content
PM (13% O ₂)	mg/Nm ³	14	Particulate matter emission at 13 % oxygen content
p	Pa	-12	Minimum flue draught
T _s	°C	310	Flue gas outlet temperature at the flue pipe collar
Tclass	-	T400	Chimney designation according to the appropriate chimney standard
Φ _{fg}	g/s	5,9	Flue gas mass flow
V _h	m ³ /h	0	Standing air loss
CON or INT	-	INT	Intermittent operation (INT)
t	min	47	Fuelling time
M _a	kg	1,9	Recommended wood quantity when filling (Divided into 2-3 pieces of firewood)
d _{out}	mm	150	The diameter of the flue pipe collar
L, H, W	mm	832/1495/414	Overall dimensions of the appliance (length, height, width)
L _c , H _c , W _c	mm	595/465/274	Combustion chamber (length, height, width)
m	kg	243 kg	Mass of the appliance
m _{chim}	kg	20	Maximum load of the chimney
Type	-	BE	Appliance intended to be supplied with combustion air via a combustion air duct

RATING PLATE


All RAIS/attika stoves have a rating plate indicating the stove's distance to combustibles, efficiency etc. The name-plate can also be found by scanning the QR code.



The stove was tested and approved by:

DTI - Danish Technological Institute
 Teknologiparken Kongsvang Allé 29
 8000 Aarhus C, Denmark
 www.dti.dk

Tel.: +45 7220 2000,
 Fax: +45 7220 1019

Set-up distances		R600RD MAX / 600RD	
d _R	mm	200	Minimum distance from the rear edge of the door to combustible material
d _S	mm	1000	Minimum distances from the sides to combustible material
d _C	mm	835	Minimum distances from the top of the door to combustible material at the ceiling
d _P	mm	1000	Minimum distances from the front to combustible material (Distance to furniture)
d _F	mm	0**	Minimum distances from the front to combustible material in bottom front radiation area
d _L	mm	0**	Minimum distances from the front to combustible material in side front radiation area
d _B	mm	0	Minimum distances below the bottom (not regarding feet) to combustible material
d _{BD}	mm	300	Minimum distance from the bottom edge of the door to the floor.
d _{non}	mm	50	Minimum distances to non-combustible walls
			Read and follow the user operating instructions

**0 mm: Since 65 K is not exceeded by radiation on the floor in front and/or on the side wall. Cf. EN16510 Note 3.

Read the section about installation distances in the installation guide.

SHARED FLUE

IMPORTANT! it is **NOT** allowed to connect multiple stoves to the same chimney in the **UK**.

In other countries it is permitted to connect several stoves to the same chimney, provided that the two stoves have the same owner, as in an example where a house has two floors with one stove in the living room and one on the first floor. It is a requirement that the inlets must be positioned so that there is a clearance difference between them of at least 250 mm.



IN CASE OF MARKET CONTROL

The specifications are based on nominal test results. During the nominal test, an ignition and two pre-fires are used to generate a basic glow layer of approximately 200 g prior to the test firing, which includes 1.8 kg of three pieces of firewood. From here, approximately 5 test cycles are carried out, each of which ends when the weight reaches about 50 g. The weight at the end of the cycle must not differ by more than 100 grammes from the previous cycle.

The user manual includes a more detailed description of how to conduct the nominal test.

DECLARATION OF PERFORMANCE

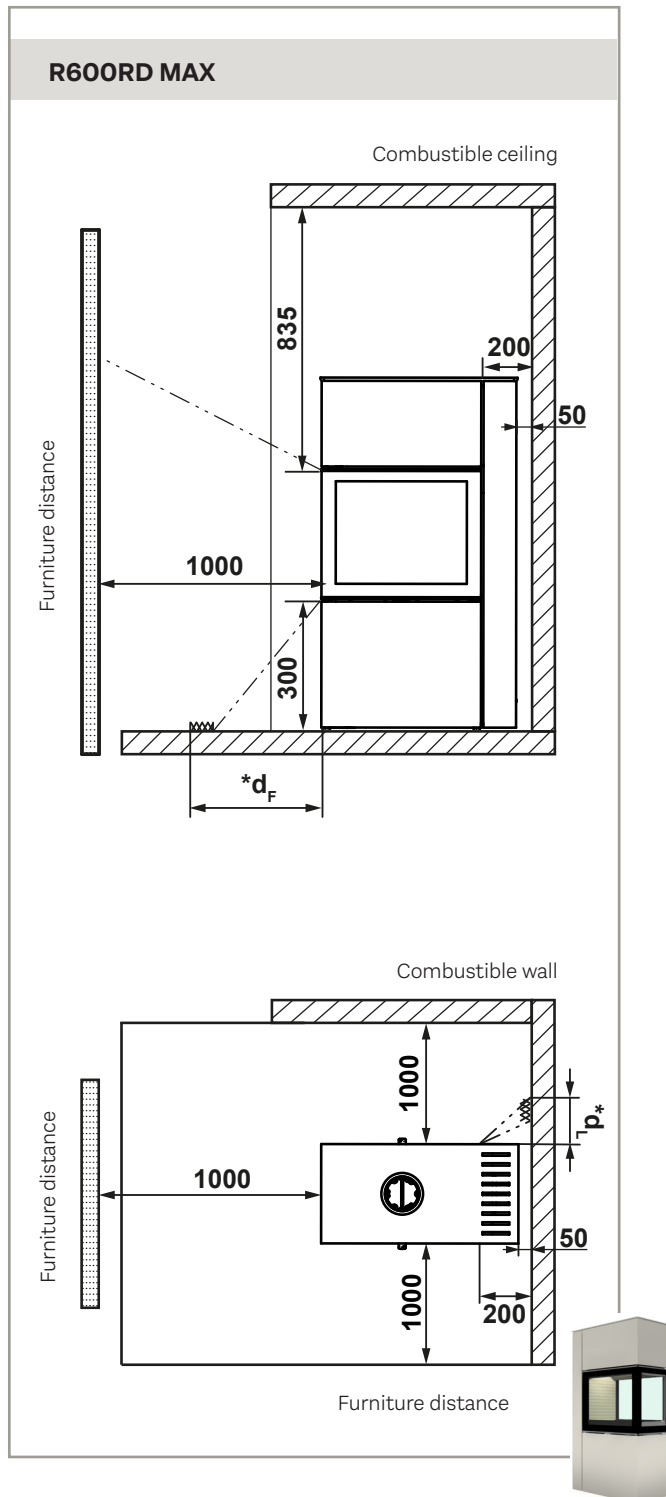


DECLARATION OF CONFORMITY



To clarify whether the stove installation wall is flammable or otherwise, contact your building architect or local building authorities. Please make sure that objects made of combustible materials (such as furniture) are not placed closer than the distances indicated in the following tables (fire risk).

INSTALLATION DISTANCE IN CASE OF COMBUSTIBLE WALL



MINIMUM DISTANCE FOR CEILING AND FLOORS

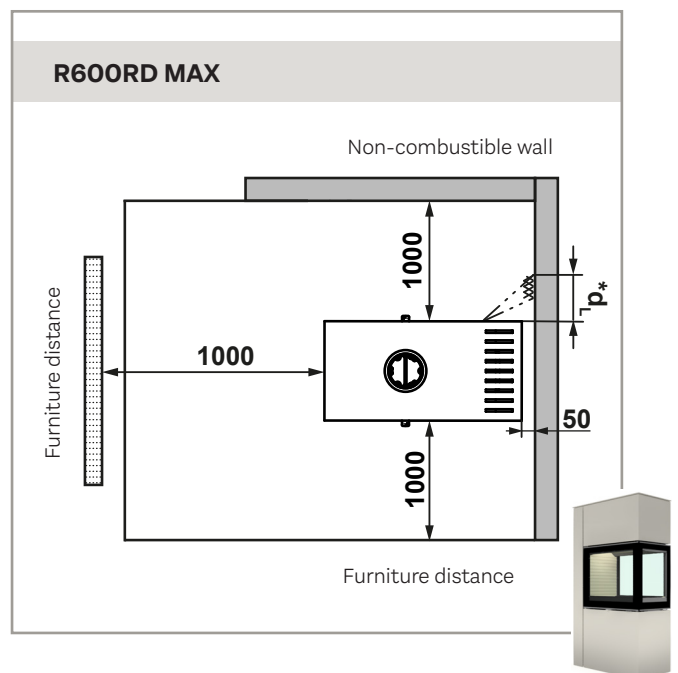
Distance to the ceiling from the top of the door minimum 835 mm. Distance to the floor from the door bottom is minimum 300 mm.

IMPORTANT

Please bear in mind that the installation distances on the following pages only apply to the wood-burning stove. The final choice of Chimney solution may have a larger safety distance to the flammable material. The Chimney solution must always be installed in accordance with current building regulations and in a manner that ensures CE-marking compliance.

INSTALLATION DISTANCE IN CASE OF NON-COMBUSTIBLE WALL

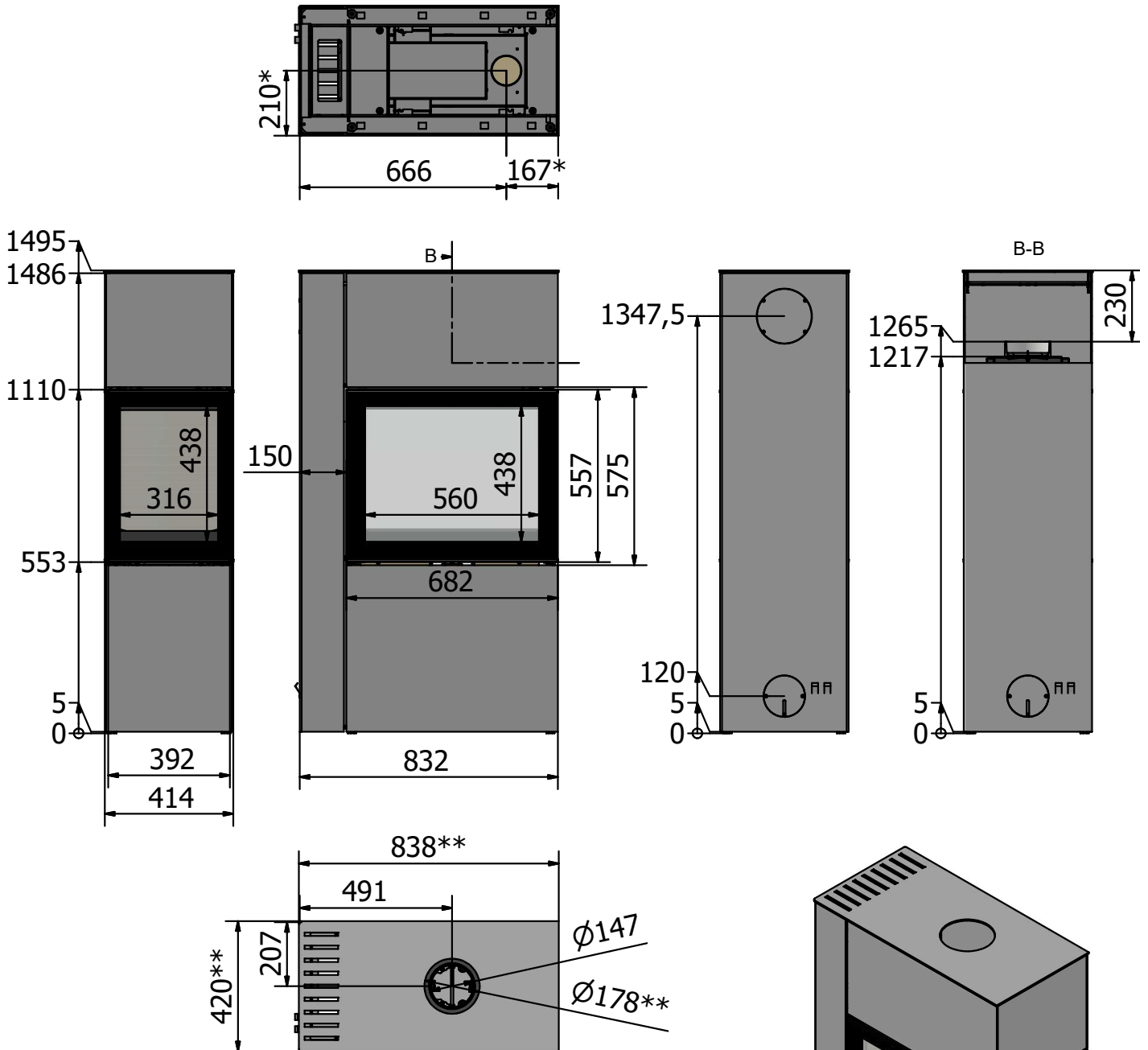
We recommend a minimum distance to non-combustible material of **50 mm** for cleaning purposes.



*0 mm: As 65 K is not exceeded by radiation on the floor in front and/or on the side wall.

DIMENSIONAL SKETCH: R600RD MAX

The model is available as a variant with a concealed top plate, disregarding the top plate dimensions below. The total height at the top is 1486 mm.



All dimensions are in mm.
 *AirSystem
 **Top plate measurement



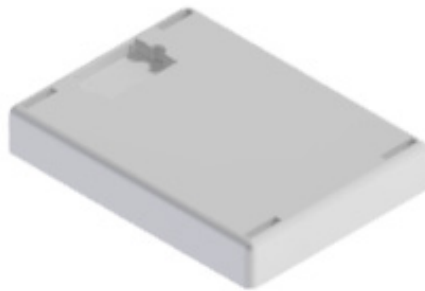
RECYCLING OF PACKAGING

The stove is delivered in recyclable packaging. This packaging must be disposed of in accordance with national regulations relating to the disposal of waste.

EN



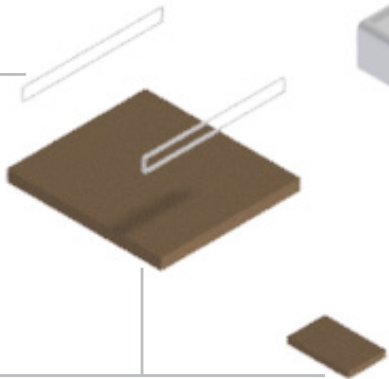
Plastic straps



Styrofoam



Cardboard

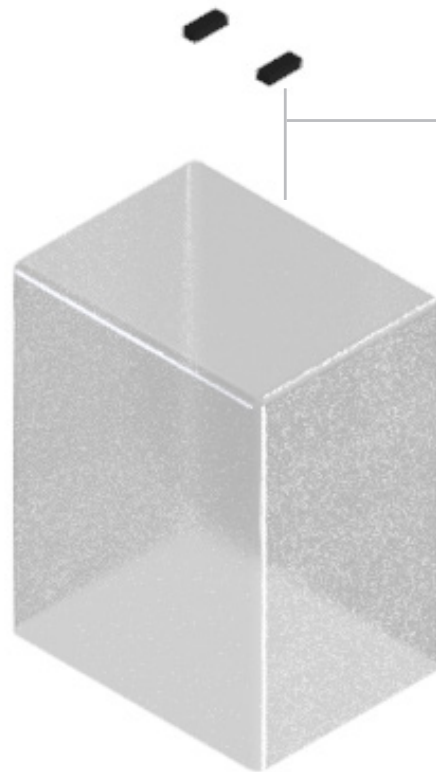


Plastic

Sheet metal



Pallet wood



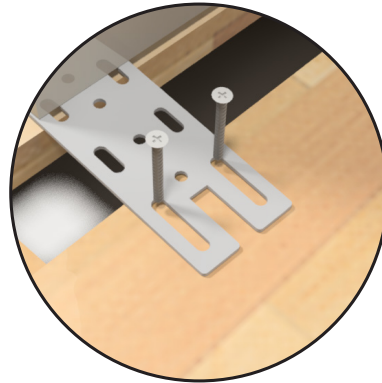
DISPOSAL AFTER END OF LIFE

When your oven can no longer be used in the distant future, it is important that it is disposed of correctly. At the end of the user manual you will find an overview of how to dispose of the stove itself at the end of its service life.



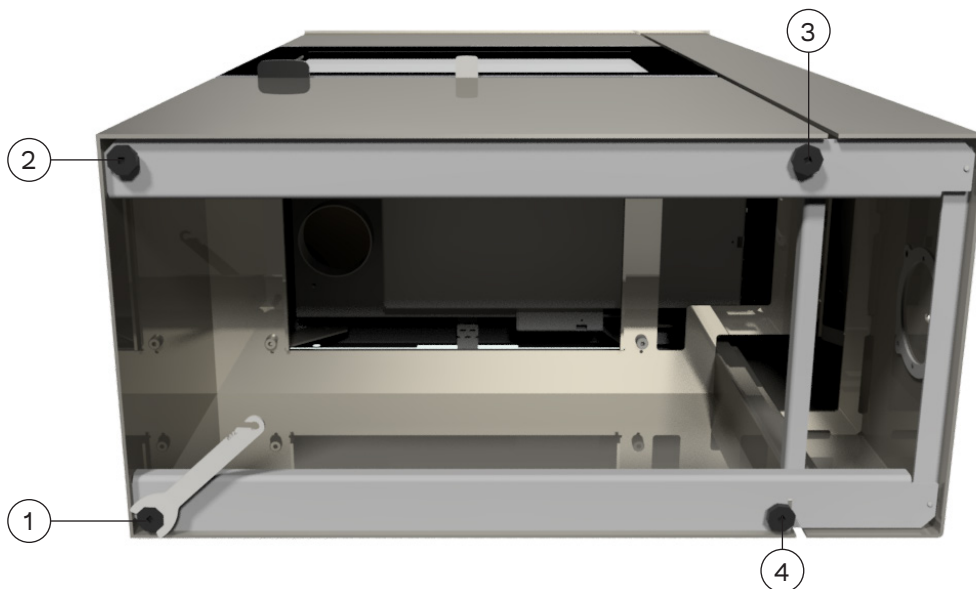
PACKAGING AT DELIVERY

Upon delivery, the stove is secured to a transport pallet using four transport safety fittings. The safety fittings are attached with screws which must be unscrewed. The safety fittings can then be removed.



HEIGHT ADJUSTMENT

There are four adjustment screws underneath the appliance. Make sure the stove is level by using the adjustment screws.



FITTING THE SMOKE OUTLET IN THE TOP OUTLET

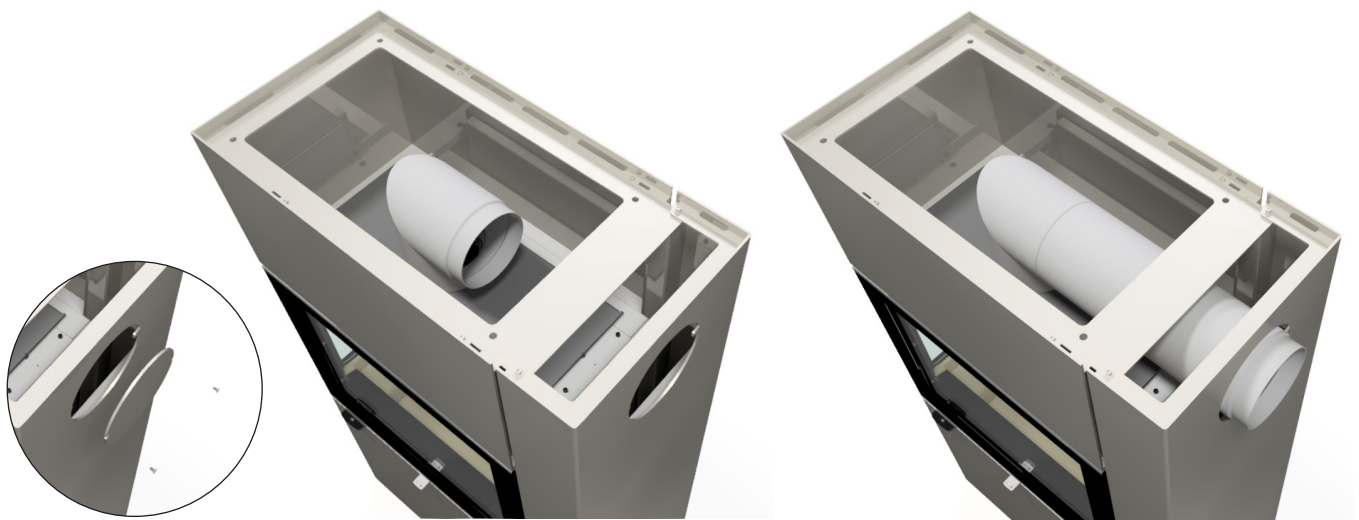
The stove is prepared for top outlet on delivery. Mount the flue outlet with the nuts and bolts supplied.



CHANGING THE CHIMNEY CONNECTION

The stove is delivered ready for top outlet, but can be changed to rear outlet as follows.

1. First remove the back cover by loosening the two screws.
2. Place the angle pipe over the flue outlet.



MOUNTING THE TOP PLATE

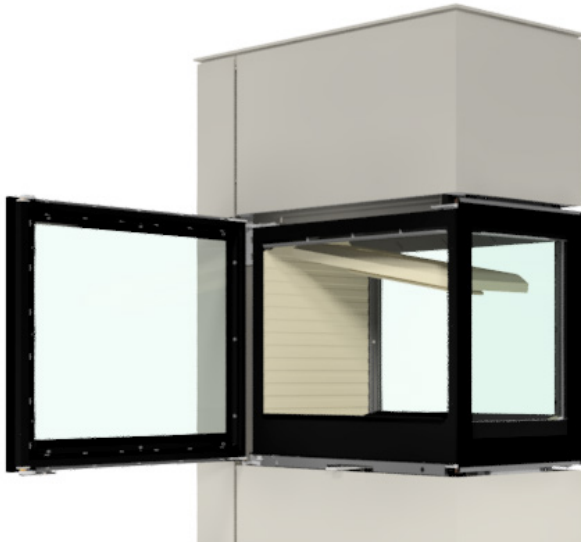
As seen in the image, the top plate has four fixed fixation points. Insert the top plate into the appropriate holes on the oven's top. Several top plates are available; they are mounted in the same manner as the example in the picture.



REMOVING THE COMBUSTION CHAMBER LINING

To reach the flue, carefully remove the vermiculite smoke deflector plates. To remove the first smoke deflector plate, lift the rear end and tilt the front end down.

Lift one side of the upper smoke deflector plate and tilt the other down. Then, carefully insert in reverse order.



EN

ATTENTION!

Take care when putting back the smoke deflector plates.



CLEANING AND MAINTENANCE

It is important that the stove is cleaned and maintained both inside and out. When this is done, the stove must be cold. The stove should be inspected by a chimney sweep once a year. Always check the chimney and flue pipe for blockages before a heating season. Inspect the exterior and interior of the stove for damage, especially gaskets and the thermal insulation plates (vermiculite).

The combustion chamber lining protects the stove from heat from the fire. Due to the large temperature variations, cracks may appear in the combustion chamber lining. These can last for several years and should be replaced if they start to crack. The plates are loosely placed inside the combustion chamber and can easily be replaced by you or your dealer. For detailed instructions on how to replace the plates or remove them to clean the flue, see the user manual.

Lubricating door hinges and door locks is a necessary maintenance task that should be done on a regular basis rather than just after damage has occurred. It is advised that you use only our lubricant spray; using other products may cause residue and odour to form. To obtain the lubricant, contact with your dealer.



BLOCKING THE AIR INTAKE

The stove needs permanent and sufficient air to burn optimally and safely. The stove takes air through the top plate and bottom. It is therefore important that the air intake areas are not blocked or closed, as the stove takes air from the room through these and other areas.

When the stove is installed in a construction where direct combustion air is required, external air must be connected to the stove from the outside. All RAIS/attika stoves have the option to supply external air.

This external air supply is what we call AirSystem. The air intake for the system can be hidden by installing it either in the floor or in the wall behind the stove. If you order a stove with AirSystem, it is installed before you receive it from us. All you have to do is connect it in your home.

The maximum length of the flex hose is 5 metres. It is important that it is not bent and folded around corners so that the tube collapses and the airflow cannot get th-

rough as intended.

If the air supply is 5-10 metres from the stove, use a Ø120 mm flex hose instead.

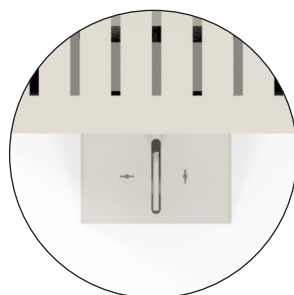
The air valve must be set to the open position during use to allow outside air to enter the stove. If the stove is unused for a period of time, you can close the air vent to prevent cold air from entering the installation room.

AIR CONNECTION ON THE BACK

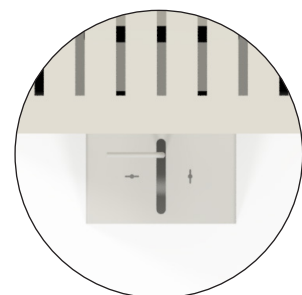
If you purchase a stove with rear air connection, mount the air valve (3) and gasket (2) on the wall above the hole leading to the outside. Then install the cover (5).



Open air valve



Closed air valve





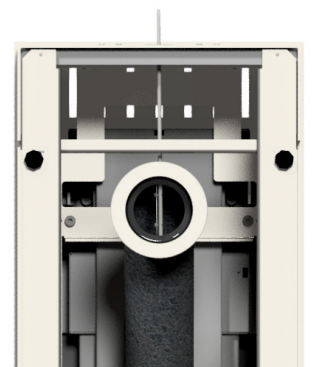
ATTENTION!

In countries where legislation does not allow closing the air supply, the damper plate in the air valve must be removed.

AIR CONNECTION AT THE BOTTOM

If you purchase a stove with bottom air connection, install the air valve (3) and gasket (2) on the floor above the hole leading to the outside.

1. Hose clamp
2. Gasket
3. Air valve
4. Flexible hose



Open air valve



Closed air valve





Article number: 23-6512EU



5 708252 430136

RAIS[®]
ART  OF FIRE

RAIS A/S
Industrivej 20
DK-9900 Frederikshavn
Denmark
www.rais.com

attika[®]
FEUERKULTUR

ATTIKA FEUER AG
Brunnmatt 16
CH-6330 Cham
Switzerland
www.attika.ch