



# NEXO STONE

INSTALLATION MANUAL (ENGLISH)

**RAIS**<sup>®</sup>

attika<sup>®</sup>  
FEUERKULTUR

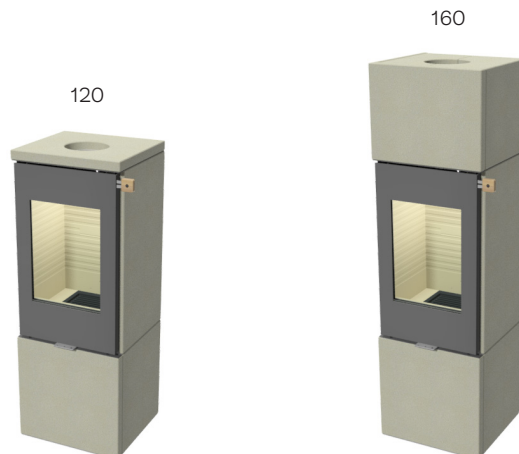
**PRODUCTION NUMBER**

The production number can be found behind the door on the right side of the stove base and on the first page of the user manual.



**THIS MANUAL APPLIES TO THE FOLLOWING MODELS:**

- Nexo 120 STONE
- Nexo 160 STONE



# CONTENT

|  |    |
|--|----|
| PRODUCTION NUMBER                                      | 2  |
| INSTALLATION MANUAL                                    | 4  |
| Malfunctions .....                                     | 5  |
| TECHNICAL DATA   | 6  |
| Specifications .....                                   | 6  |
| INSTALLATION DISTANCE                                  | 8  |
| Installation distances for non-combustible walls ..... | 8  |
| Installation distances at combustible walls .....      | 9  |
| DIMENSIONAL SKETCHES                                   | 10 |
| INSTALLATION   | 14 |
| Recycling of packaging .....                           | 14 |
| Packaging at delivery .....                            | 15 |
| Height adjustment .....                                | 15 |
| Installation of smoke outlet in top outlet .....       | 16 |
| Changing the chimney connection .....                  | 16 |
| Removing the combustion chamber lining .....           | 17 |
| Installation of stones - Nexo Stone 120 & 160 .....    | 18 |
| Installation of stones - Nexo stone 120 .....          | 20 |
| Installation of stones - Nexo stone 160 .....          | 21 |
| Mounting/changing the handles .....                    | 22 |
| Heat accumulation stones .....                         | 23 |
|  | 24 |
| EXTERNAL AIR CONNECTION - AIRSYSTEM                    | 24 |
| Air connection on the back .....                       | 25 |
| Air connection at the bottom .....                     | 26 |
| CLEANING AND MAINTENANCE                               |    |
| SPECIAL PRECAUTIONS FOR INSTALLATION IN UK             | 38 |

Revision: 0  
Date: 11-09-2025

We reserve the right to make printing errors.

**INSTALLATION GUIDE**

Thank you for choosing your new RAIS or ATTIKA product! This installation instructions manual will ensure that your stove is installed correctly and that it will provide you with comfort and pleasure for many years to come.

**GENERAL**

It is important to correctly install the stove out of consideration for both the environment and personal safety. The installation must comply with all local rules and regulations, including those that refer to national and European standards. A certified chimney sweeper should be contacted before set-up. No unauthorised alterations may be made to the stove.

Upon receipt, inspect the stove for any transport damage. Do not install the stove until you have checked it thoroughly.

**FLOOR CONSTRUCTION**

The floor structure must be able to support the weight of the stove and a chimney, if required. If the existing floor structure does not meet this requirement, suitable measures must be taken (e.g. installation of a load distribution plate). If in doubt, contact a building expert.

National and local regulations must be complied with, including the size of the non-flammable plate that must cover the flammable floor in front of the stove to protect the floor from falling embers.

**DISTANCE TO COMBUSTIBLE MATERIAL**

The stove must be positioned at a safe distance from flammable material. Due to risk of fire, flammable items (e.g. furniture) may not be positioned closer to the insert than specified in the sections on placement. When deciding where to install your RAIS/ATTIKA stove, you should consider being able to heat other rooms in your home to get the most out of your new stove.

**VENTILATING SYSTEMS**

The stove needs permanent and sufficient air to operate safely and efficiently. A permanent air supply can be

installed in the room for the stove's combustion air - through the AirSystem connection. Under no circumstances should this air supply be closed during operation. Note that any mechanical extraction such as a cooker hood can reduce the air supply. The stove has an air consumption of min. 14.5 m<sup>3</sup>/h.

**CHIMNEY**

As a minimum, the chimney must be constructed of T400-N1-D-50050-G100 flue pipe, and be tall enough that the draft conditions are in order, i.e. 12 pascal to 18 pascal. If the recommended chimney draught cannot be achieved, problems of smoke puffing from the door may arise when heating. The collar is 147 mm in diameter. Remember: there must be unobstructed access to the access door on the chimney.

If the draught is too strong, it is advisable to equip the chimney with a regulating damper. If a regulating damper is fitted, you must ensure that there is a free flow-through area of at least 20 cm<sup>2</sup> when the regulating damper is closed.

The length of the chimney, calculated from the top of the stove should not be less than 3 metres and must be at least 80 cm above the roof ridge. If the chimney is placed on the side of the house, the top of the chimney must never be lower than the roof ridge or the roof's highest point. Note that there are often national and local regulations relating to houses with thatched roofs.

Always make sure to comply with applicable standards (EN 15287-1:2023 and EN 15287-2:2023) for chimney installation. It is also important to check the correct functioning of the chimney according to EN 13384-2:2015+A1:2019 based on the individual solution on site.

**ROOM SIZE**

Room size requirements apply to the product with the type designation CA. Type CA refers to room sealed stoves with a self-closing door that has been tested for tightness. The room in which the stove is installed must be at least 42 m<sup>3</sup>. The type of stove can be seen on the supplied CE label.

**ATTENTION!**

The appliance shall not be installed with ventilating systems which have pressure below -15 Pa.



**ATTENTION!**

Before the stove may be put to use, the set-up must be reported to your local chimney sweeper.



**ATTENTION!**

RAIS/ATTIKA recommends having the appliance installed by an authorised technician. Please ask your dealer for further information.

ENG

**MALFUNCTIONS**

If you are experiencing disturbances, some of the most common causes are listed below.

**SMOKE SPILLAGE AROUND THE DOOR**

- This may be due to insufficient draft in the chimney <math><12\text{Pa}</math>
- Check whether the flue or chimney is blocked
- Check whether the hood is switched on and, if so, switch it off and open a window / door near the stove for a short period.

**SOOT ON GLASS**

- Excessively wet firewood
- The damper regulation is too low
- Ensure proper heating of the stove when lighting, prior to closing the door

**STOVE IS BURNING TOO STRONG**

- Leak around the door seal
- Chimney draft too large >18 Pa, draft regulator should be installed.
- The damper is not regulated down enough

**STOVE IS BURNING TOO WEAK**

- Insufficient wood
- Insufficient air supply for room ventilation
- Unclean smoke flue
- Leaky chimney
- Leakage between chimney and flue

**INSUFFICIENT DRAUGHT IN THE CHIMNEY**

- Insufficient temperature difference, e.g., due to poorly insulated chimney
- High outside temperature, e.g., in the summer
- Absence of wind
- The chimney is too low and sheltered
- Leaks or other false air in the chimney
- Chimney and flue clogged
- The house lacks ventilation (lack of fresh air supply)
- Negative smoke extraction (poor draft conditions)

With a cold chimney or severe weather conditions, the poor draught can be compensated by supplying the stove with more air than usual.

If the interruptions persists, we recommend that you contact your RAIS dealer or chimneysweep.

**SPARE PARTS**

You can view the spare parts we offer by scanning the QR code if you need new ones for your product. The warranty disappears if replacement parts are used that are not recommended by RAIS. Your RAIS dealer is able to provide spare parts for all interchangeable parts.



# TECHNICAL DATA

## SPECIFICATIONS

DTI Ref.: 300-ELAB-2324-EN

Nexo Stone 120, Nexo Stone 160

| <b>RAIS®</b>                                     |                    | Nominal                       | Standard: EN16510-2-1:2022  |
|--|--------------------|-------------------------------|---|
|  |                    | Wood logs                     | Fuel  |
| P  | kW                 | 5.8                           | Nominal heat output   |
| P <sub>SH</sub>                                  | kW                 | 5.8                           | Space heat output   |
| η  | %                  | ≥ 75                          | Efficiency  |
| η <sub>s</sub>                                   | %                  | ≥ 65                          | Seasonal space heat efficiency  |
| EEL  | -                  | 106                           | Class A<br>Energy efficiency index  |
| CO (13% O <sub>2</sub> )                         | mg/Nm <sup>3</sup> | ≤ 1500                        | CO emission at 13 % oxygen content  |
| NO <sub>x</sub> (13% O <sub>2</sub> )            | mg/Nm <sup>3</sup> | ≤ 200                         | NO <sub>x</sub> emission at 13 % oxygen content                                 |
| OGC (13% O <sub>2</sub> )                        | mg/Nm <sup>3</sup> | ≤ 120                         | Hydrocarbon emission at 13 % oxygen content                                     |
| PM (13% O <sub>2</sub> )                         | mg/Nm <sup>3</sup> | ≤ 40                          | Particulate matter emission at 13 % oxygen content                              |
| p  | Pa                 | 12                            | Minimum flue draught  |
| T <sub>s</sub>                                   | °C                 | 328                           | Flue gas outlet temperature at the flue pipe collar                             |
| Tclass   | -                  | T400 G                        | Chimney designation according to the appropriate chimney standard               |
| Φ <sub>fg</sub>                                  | g/s                | 5.2                           | Flue gas mass flow  |
| V <sub>h</sub>                                   | m <sup>3</sup> /h  | 0                             | Standing air loss   |
| CON or INT                                       | -                  | INT                           | Intermittent operation (INT)  |
| t  | min                | 49                            | Fuelling time   |
| M <sub>a</sub>                                   | kg                 | 1.4                           | Recommended wood quantity when filling (Divided into 2-3 pieces of firewood)    |
| d <sub>out</sub>                                 | mm                 | 150                           | The diameter of the flue pipe collar  |
| L, W, H  | mm                 | L 470, W 435,<br>H 1275/ 1606 | Overall dimensions of the appliance (length, width, height)                     |
| L <sub>c</sub> , W <sub>c</sub> , H <sub>c</sub> | mm                 | 340/254/510                   | Combustion chamber (length/width/height)  |
| m  | kg                 | 232-322                       | Mass of the appliance   |
| m <sub>chim</sub>                                | kg                 | 20                            | Maximum load of the chimney   |
| Type   | -                  | CA                            | Appliance intended to be supplied with combustion air via a combustion air duct |

### RATING PLATE


All RAIS/attika stoves have a rating plate indicating the stove's distance to combustibles, efficiency etc. The name-plate can also be found by scanning the QR code.

FRONT MODEL



THREE-SIDED MODEL



| Set-up distances  |    | Without side glass | With side glass |   |
|---|----|--------------------|-----------------|---|
| $d_R$   | mm | 100                |                 | Minimum distance from the back of the stove to combustible material                     |
| $d_S$   | mm | 350                | 450             | Minimum distances from the sides to combustible material                                |
| $d_C$   | mm | 400                |                 | Minimum distance from the top to combustible material at the ceiling                    |
| $d_P$   | mm | 900                | 800             | Minimum distances from the front to combustible material (Distance to furniture)        |
| $d_F$   | mm | 0**                |                 | Minimum distances from the front to combustible material in bottom front radiation area |
| $d_L$   | mm | 0**                |                 | Minimum distances from the front to combustible material in side front radiation area   |
| $d_B$   | mm | 210                |                 | Minimum distance from the bottom edge of the door to the floor.                         |
| $d_{non}$   | mm | 50                 |                 | Minimum distances to non-combustible walls  |
|  |    |                    |                 | Read and follow the user operating instructions   |

\*\*0 mm: Since 65 K is not exceeded by radiation on the floor in front and/or on the side wall. Cf. EN16510 Note 3.

The stove was tested and approved by:  
 DTI - Danish Technological Institute  
 Teknologiparken Kongsvang Allé 29  
 8000 Aarhus C, Denmark  
 www.dti.dk  
 Tel.: +45 7220 2000,  
 Fax: +45 7220 1019

Read the section about installation distances in the installation guide.



**SHARED FLUE**

**IMPORTANT!** it is **NOT** allowed to connect multiple stoves to the same chimney in the **UK**.

In other countries it is permitted to connect several stoves to the same chimney, provided that the two stoves have the same owner, as in an example where a house has two floors with one stove in the living room and one on the first floor. It is a requirement that the inlets must be positioned so that there is a clearance difference between them of at least 250 mm.

**IN CASE OF MARKET CONTROL**

The specifications are based on nominal test results. During the nominal test, an ignition and two pre-fires to generate a basic glow layer of approximately 320 g prior to the test firing. The test firing includes 1.4 kg of two pieces of firewood, the door is closed immediately after filling. From here, approximately 5 test cycles are carried out, each of which ends when the weight reaches about 50 g. The weight at the end of the cycle must not differ by more than 100 grammes from the previous cycle.

The user manual includes a more detailed description of how to conduct the nominal test.

**DECLARATION OF PERFORMANCE**



**DECLARATION OF CONFORMITY**



To clarify whether the stove installation wall is flammable or otherwise, contact your building architect or local building authorities. Please make sure that objects made of combustible materials (such as furniture) are not placed closer than the distances indicated in the following tables (fire risk).

## MINIMUM DISTANCE FOR CEILINGS AND FLOORS

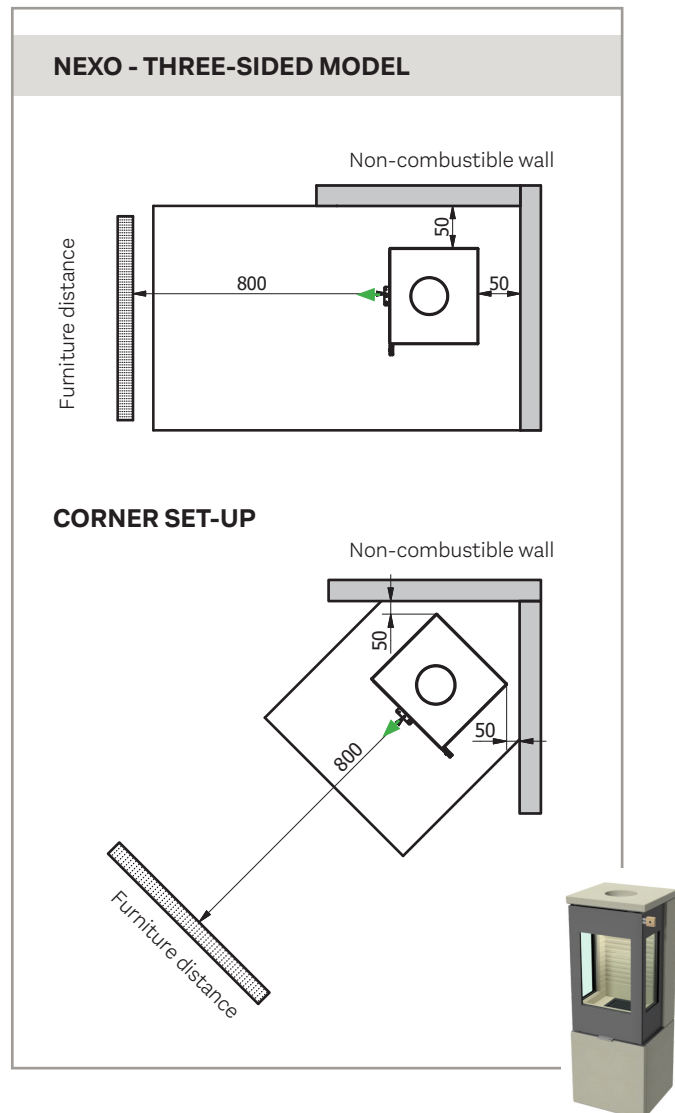
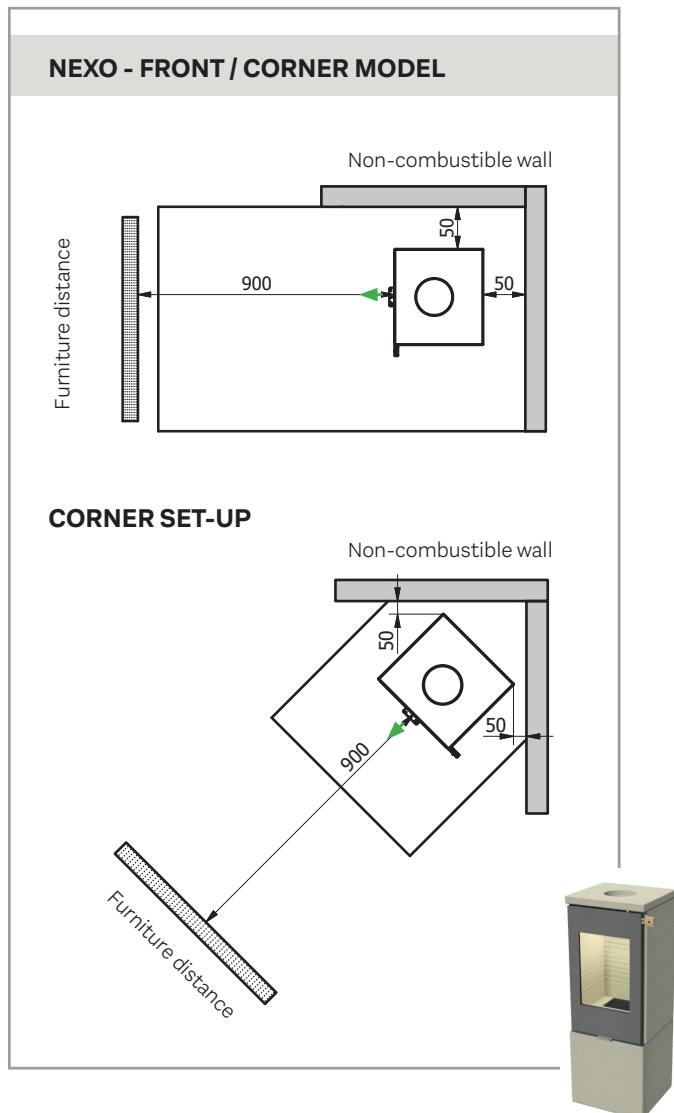
Distance to ceiling from the top of the stove min. 400 mm. Distance to the floor from the door bottom is minimum 210 mm.

## IMPORTANT

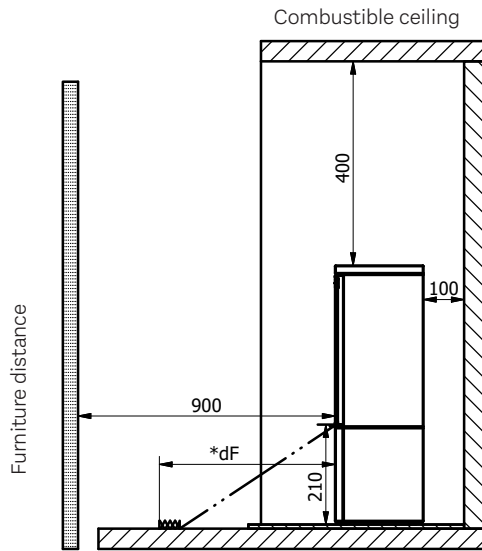
Please bear in mind that the installation distances on the following pages only apply to the wood-burning stove. The final choice of Chimney solution may have a larger safety distance to the flammable material. The Chimney solution must always be installed in accordance with current building regulations and in a manner that ensures CE-marking compliance. Always make sure to follow all local precautions, including those referring to national and European standards.

## INSTALLATION DISTANCE IN CASE OF NON-COMBUSTIBLE WALL

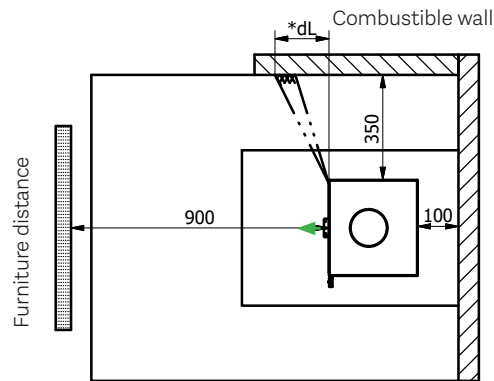
We recommend a minimum distance to non-combustible material of **50 mm** for cleaning purposes.



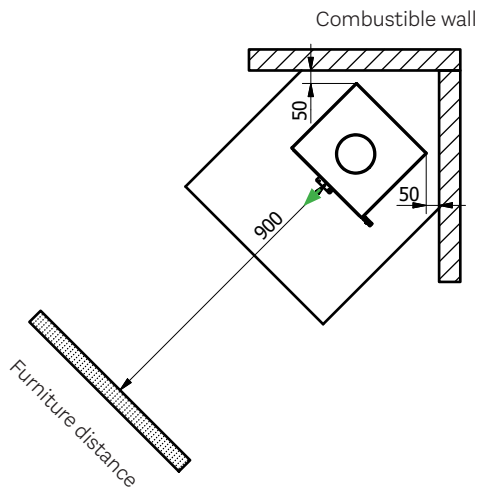
**NEXO - FRONT MODEL**



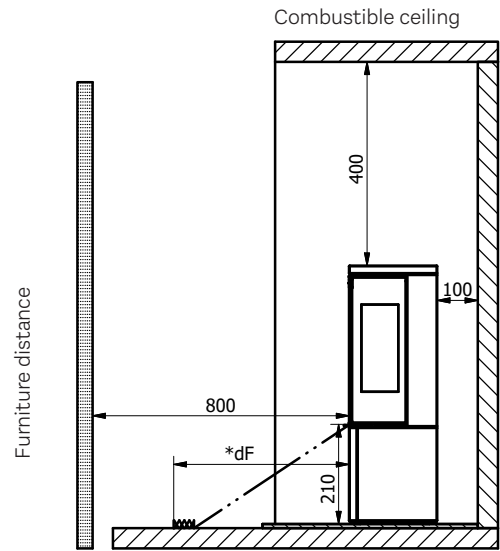
\*0 mm: As 65 K is not exceeded by radiation on the floor in front and/or on the side wall.



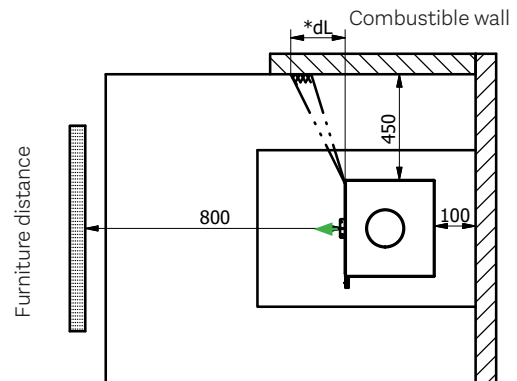
**CORNER SET-UP**



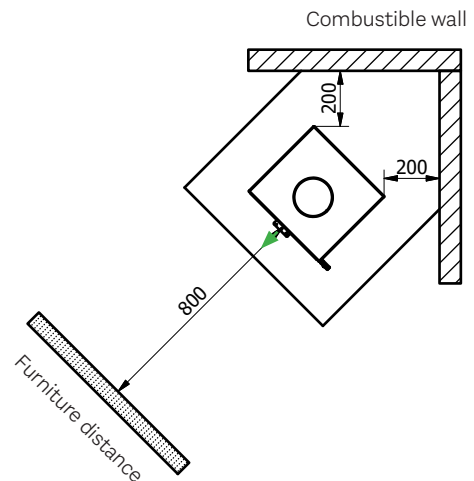
**NEXO - THREE-SIDED MODEL**



\*0 mm: As 65 K is not exceeded by radiation on the floor in front and/or on the side wall.



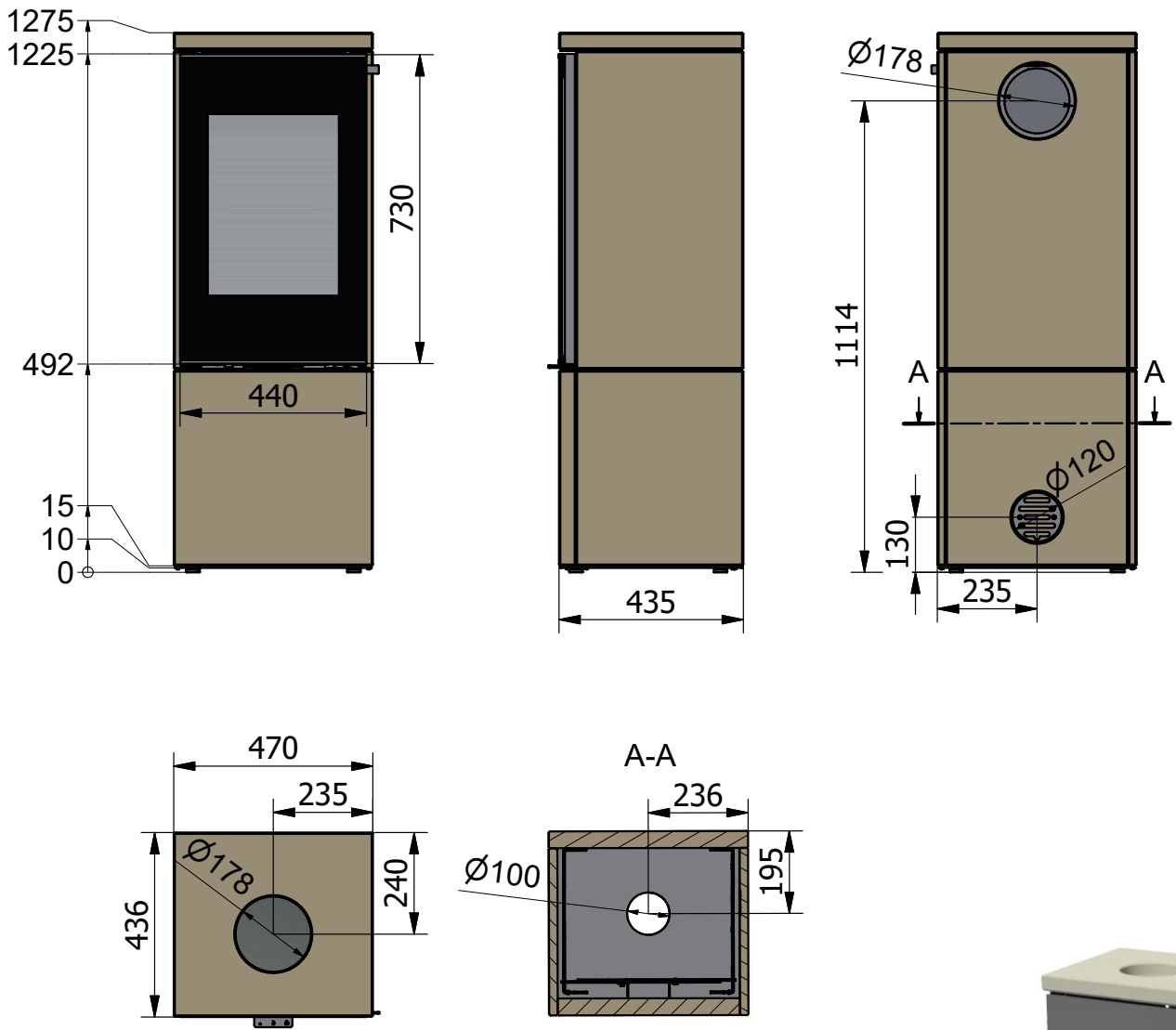
**CORNER SET-UP**



**DIMENSIONAL SKETCH: NEXO STONE 120 - FRONT MODEL**

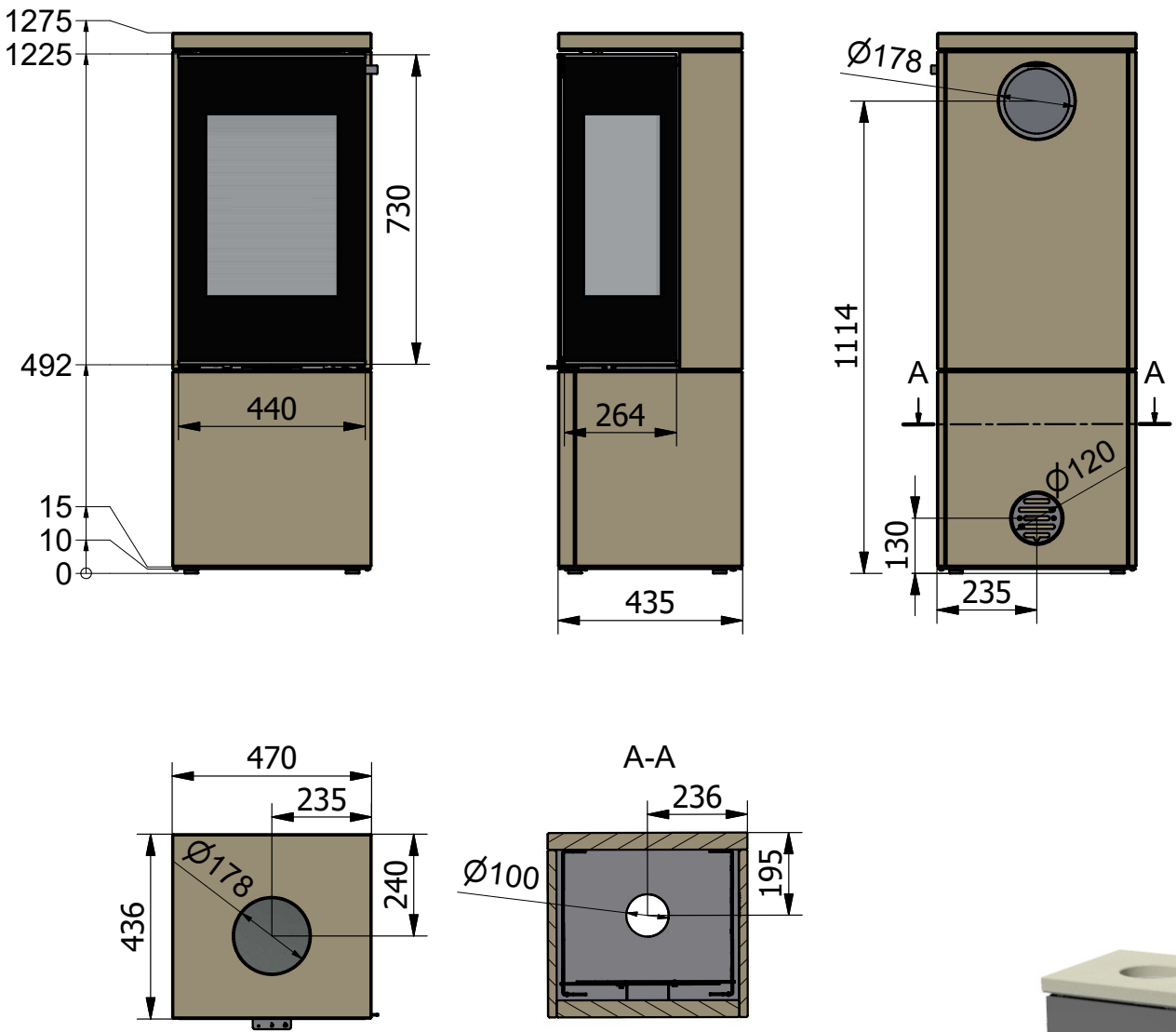
Nexo Stone has the same external dimensions whether it is clad with Porto stone or Soapstone.

ENG



**DIMENSIONAL SKETCH: NEXO STONE 120 - THREE-SIDED MODEL**

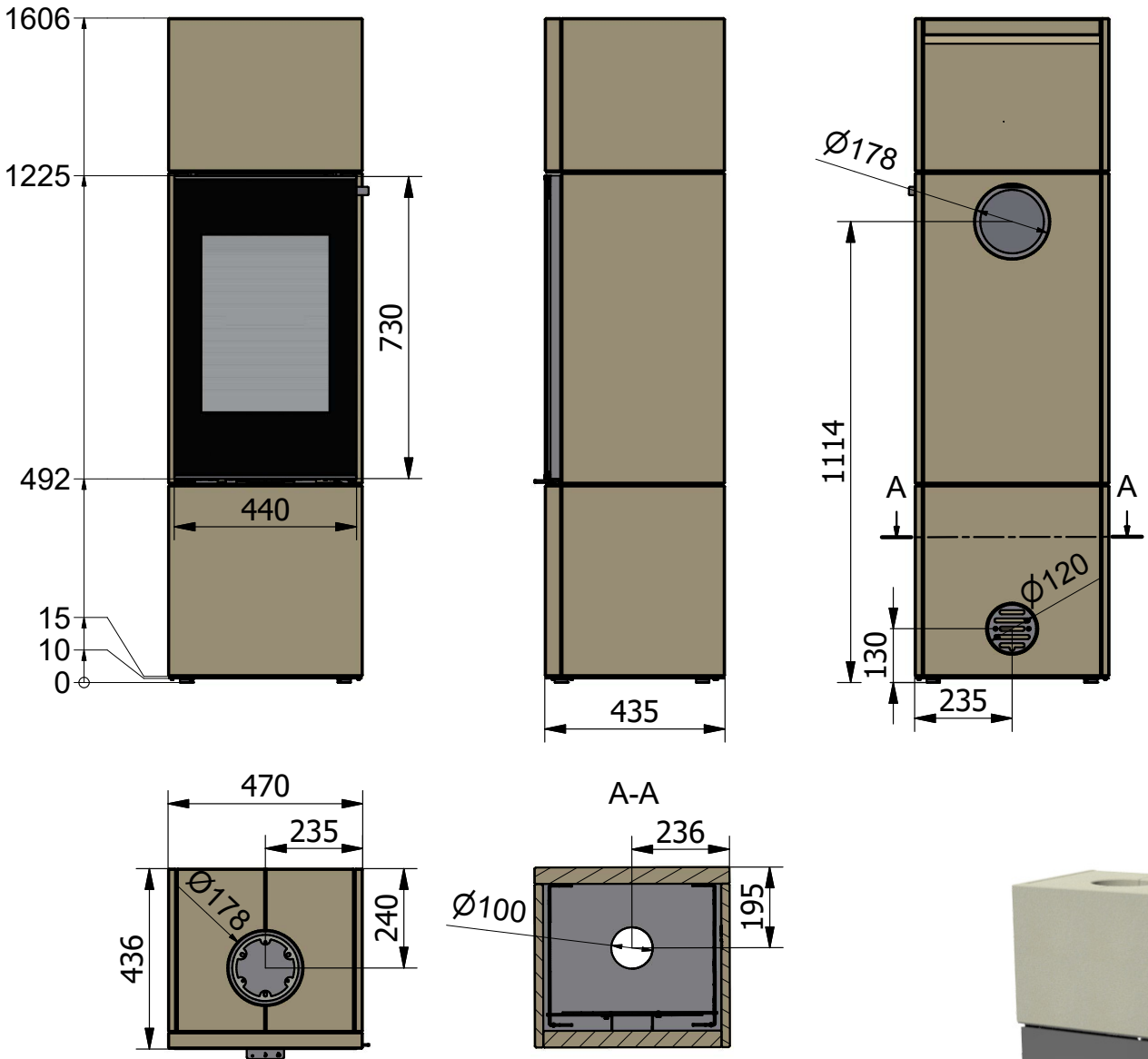
Nexo Stone has the same external dimensions whether it is clad with Porto stone or Soapstone.



**DIMENSIONAL SKETCH: NEXO STONE 160 - FRONT MODEL**

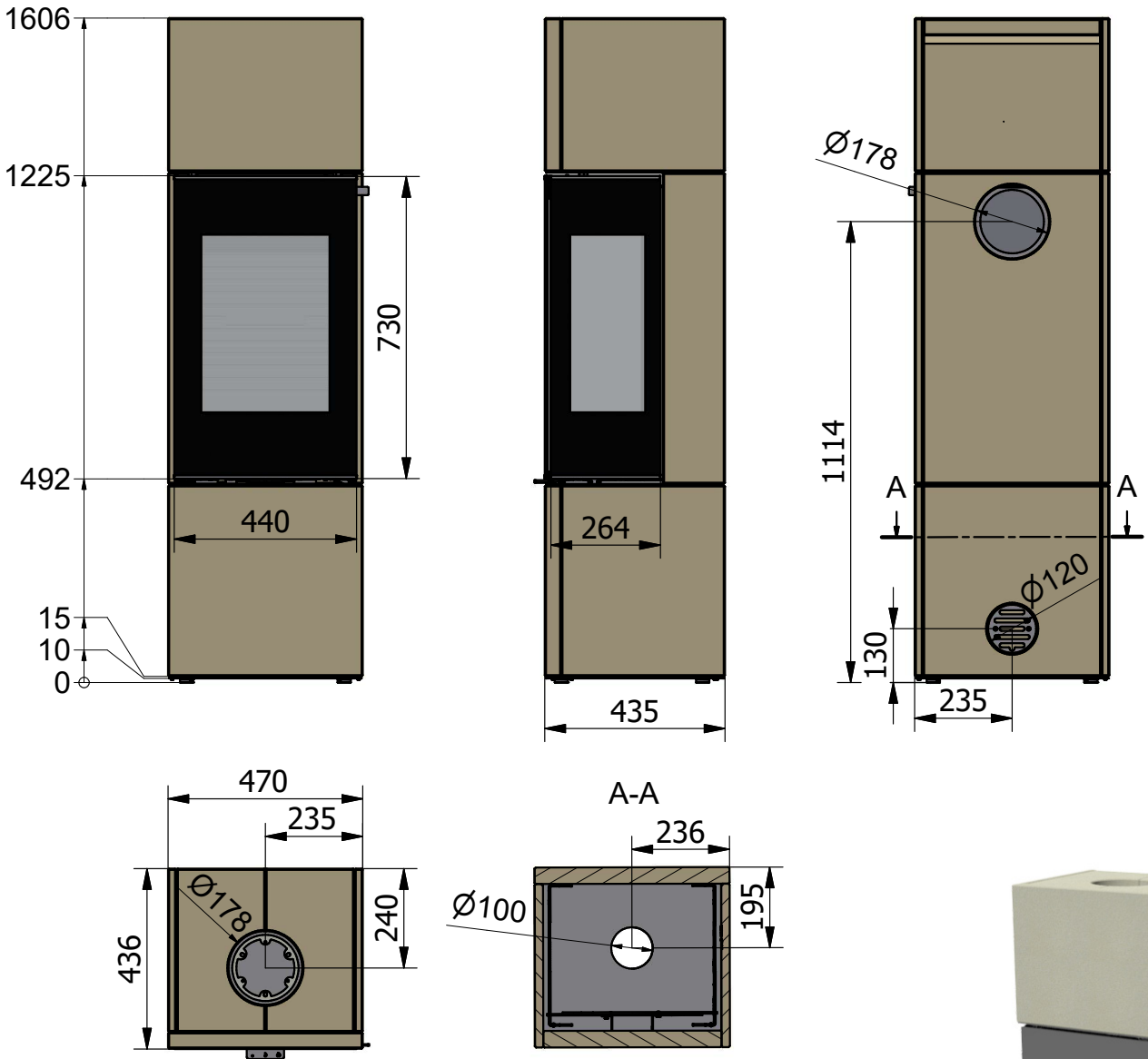
Nexo Stone has the same external dimensions whether it is clad with Porto stone or Soapstone.

ENG



**DIMENSIONAL SKETCH: NEXO STONE 160 - THREE-SIDED MODEL**

Nexo Stone has the same external dimensions whether it is clad with Porto stone or Soapstone.





**RECYCLING OF PACKAGING**

The stove is delivered in recyclable packaging. This packaging must be disposed of in accordance with national regulations relating to the disposal of waste.

ENG



Plastic straps



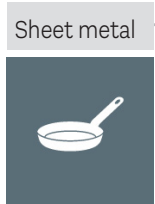
Styrofoam



Cardboard



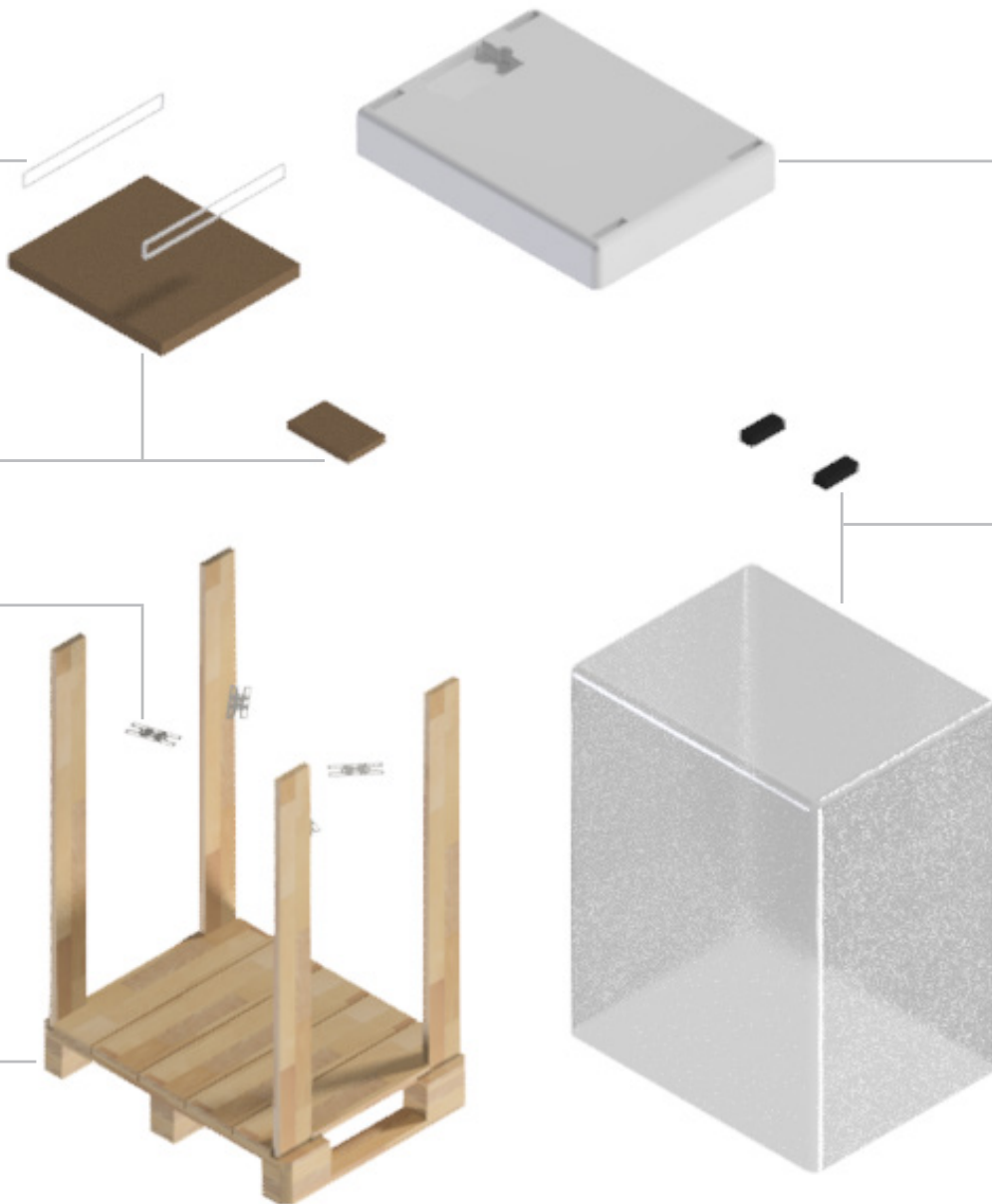
Plastic



Sheet metal



Pallet wood



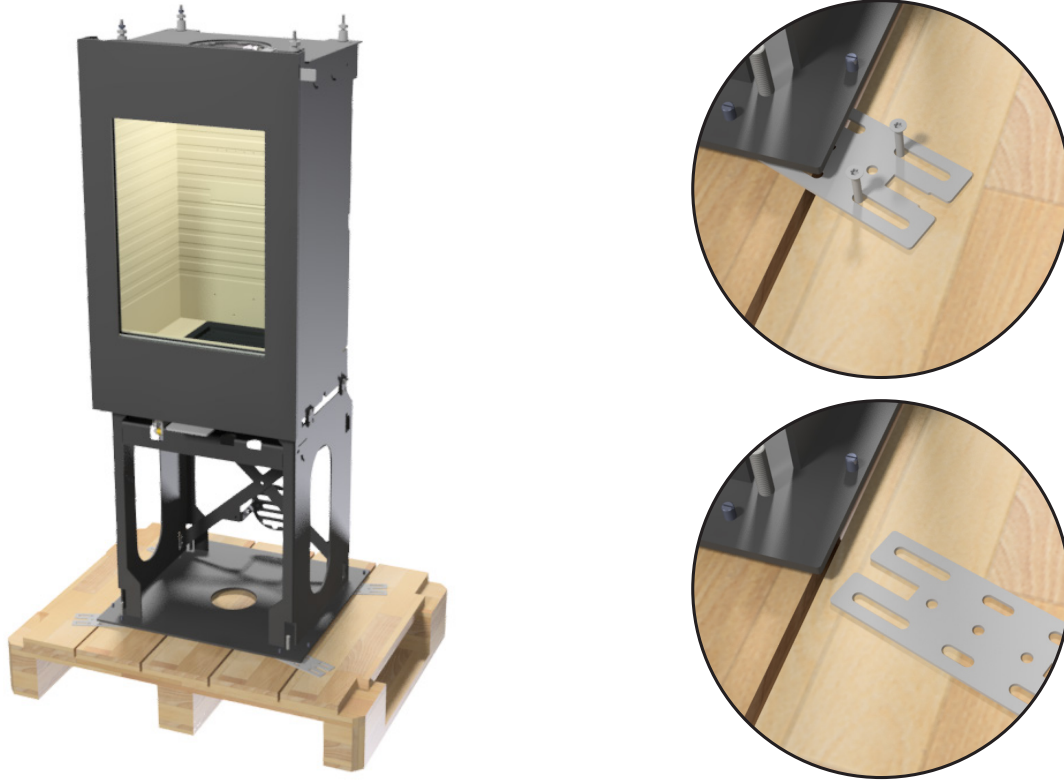
**DISPOSAL AFTER END OF LIFE**

When your stove can no longer be used in the distant future, it is important that it is disposed of correctly. At the end of the user manual you will find an overview of how to dispose of the stove itself at the end of its service life.



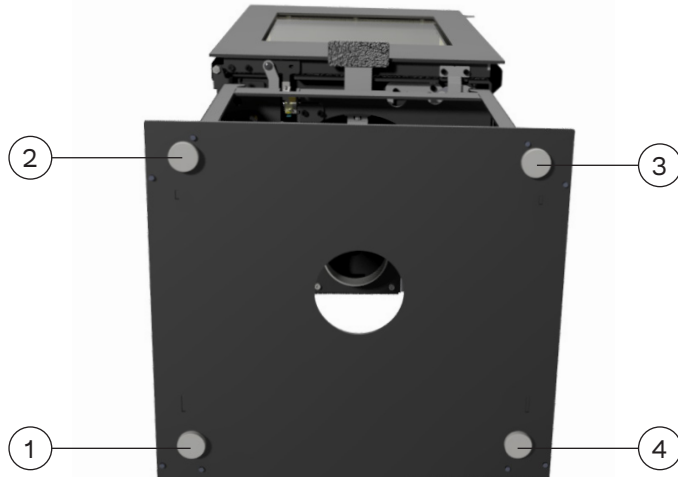
**PACKAGING AT DELIVERY**

Upon delivery, the stove is secured to a transport pallet using four transport safety fittings. The safety fittings are attached with screws which must be unscrewed. The safety fittings can then be removed.



**HEIGHT ADJUSTMENT**

There are four adjustment screws underneath the appliance. Make sure the stove is level by using the adjustment screws.



**FITTING THE SMOKE OUTLET IN THE TOP OUTLET**

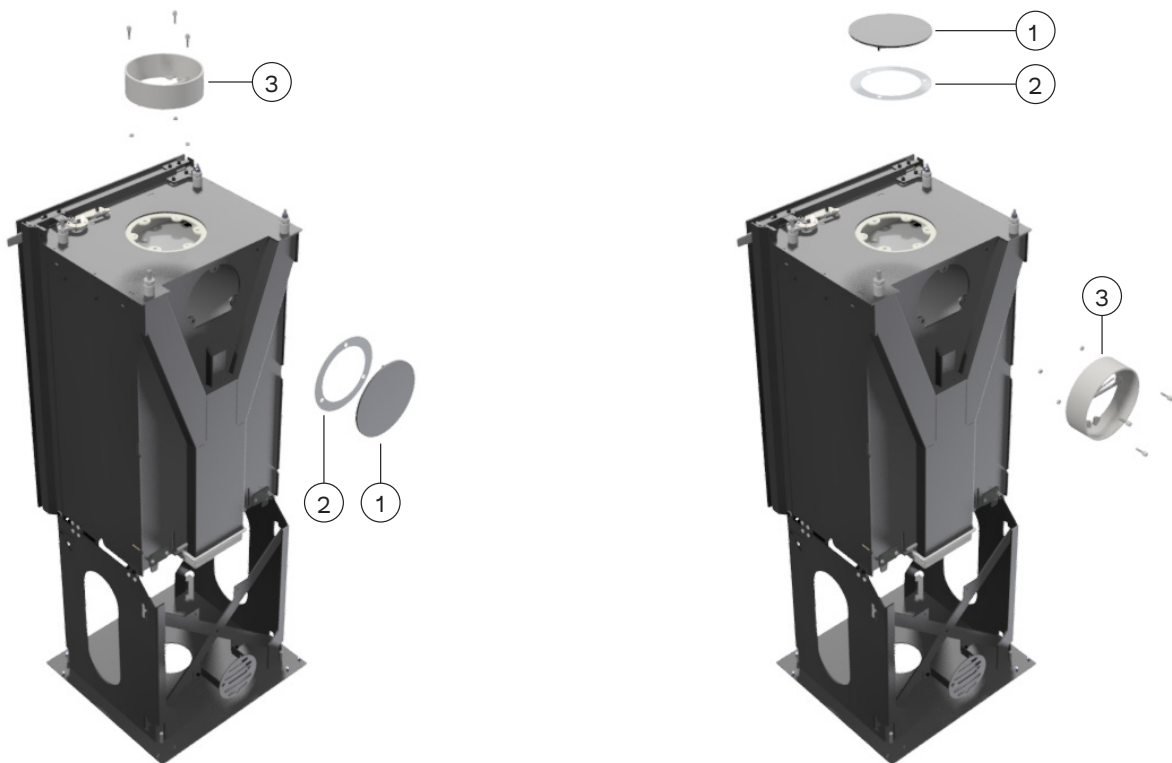
The stove is prepared for top outlet on delivery. Mount the flue outlet with the nuts and bolts supplied.



**CHANGING THE CHIMNEY CONNECTION**

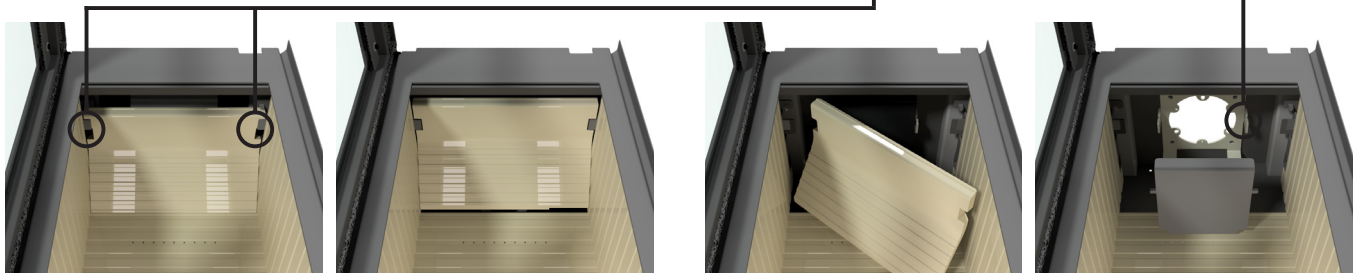
The stove is delivered ready for top outlet, but can be changed to rear outlet as follows.

1. First, remove the combustion chamber liner (see next page).
2. Remove the flame cover (1) and gasket (2) from the back and mount on top.
3. Install the flue outlet (3) on the rear outlet.



**REMOVING THE COMBUSTION CHAMBER LINING**

To reach the flue, carefully remove the vermiculite smoke deflector plate and the smoke baffle made of steel. Remove the fuse on both sides by pushing it up so that it clears the hole. Remove the smoke deflector plate by pulling it forwards and downwards so that the rear end is clear of the vertical plates. Remove the smoke baffle by lifting it up and forwards so that it comes free of the fixings. Then, carefully insert in reverse order. The same procedure is used when changing the chimney connection for access to the flap cover.



Remove the fuse, then remove the smoke deflector plate by pulling forwards and downwards

The smoke baffle by lifting it up and forwards to release it from the fixings

ENG

**ATTENTION!**

Take care when putting back the smoke deflector plates.



**INSTALLATION OF STONES - NEXO STONE 120 & 160**

Place the stove in its final position. The stove cannot be moved once the stones have been installed, as there is a risk of breakage if pressure is applied to the stones. Then follow the steps below to install the stones.

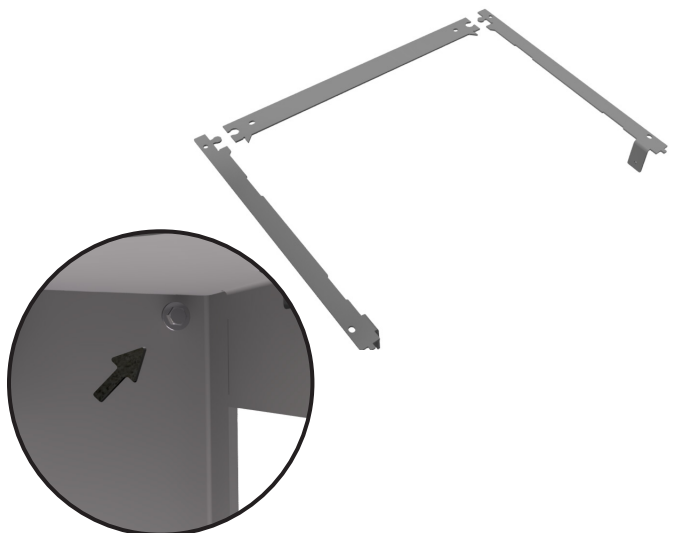
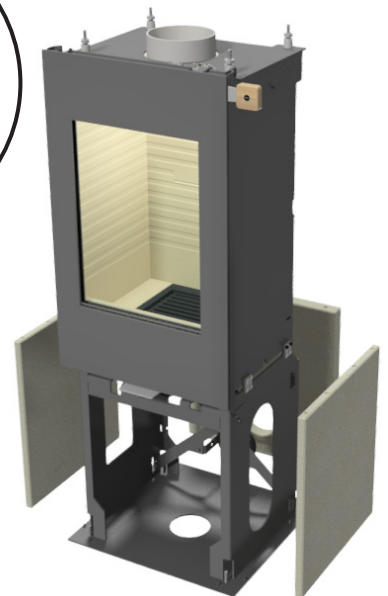
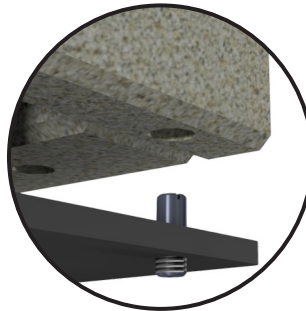
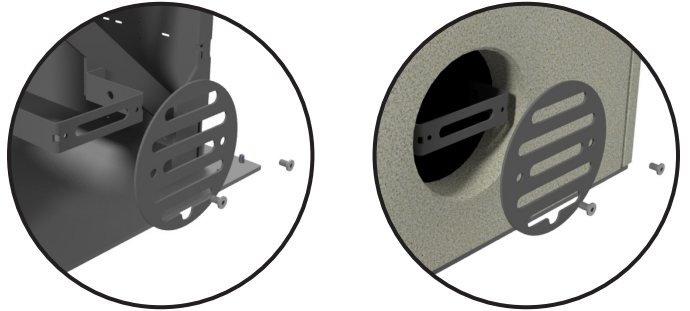
Remove the air intake cover at the rear of the stove and reattach it once the stones have been installed.

Place the side stones and rear stones over the pins in the base plate.

Assemble the frame and place it on the stones. Attach the bracket to the stove using the screws (2 pcs.), which are screwed in where the arrow indicates under the stove.

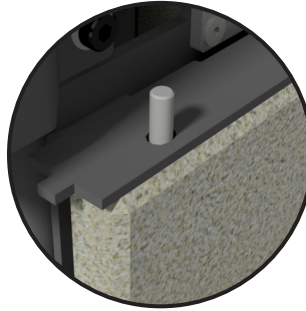
**ATTENTION!**

The descriptions on these two pages are identical for Nexo Stone 120 and 160. Follow the instructions for the oven height you have purchased on the following pages to install the top section.

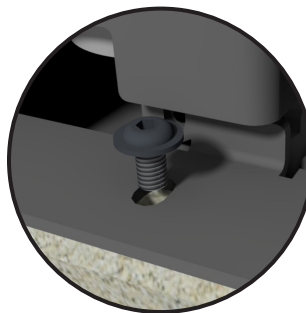


ENG

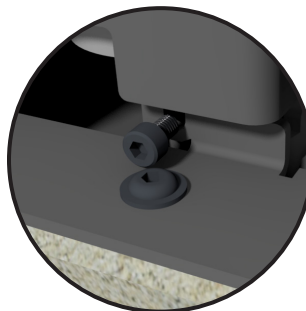
Then secure the stones at the top by inserting the pins (6 pcs.) through the frame and into the stones.



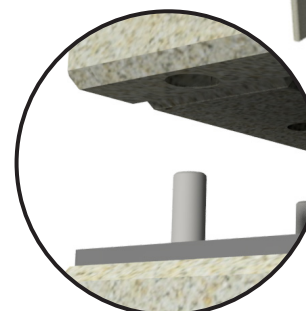
Place the front stone together with the frame. Screw the screws into the frame and stone (2 pcs.).



Then screw the frame onto the stove (2 pcs.).



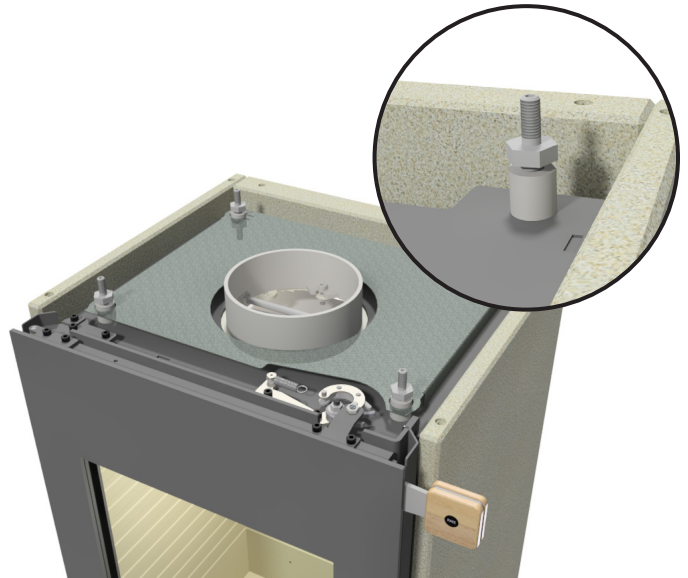
Mount the next two sides and the back stone over the pins.



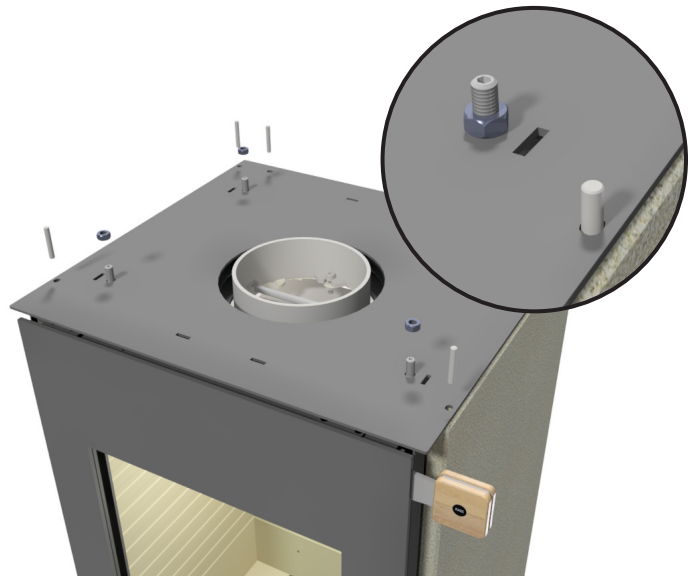
**INSTALLATION OF STONES - NEXO STONE 120**

This page shows the procedure for installing the top section for Nexo Stone 120.

Install the reflector plate. For top outlets, knock out the knockout moulding. If you need to adjust the gap between the stone and the steel top bracket, you can adjust the screws up or down.



Install the steel top bracket and pins (6 pcs.). Then install the nuts (4 pcs.).



Finally, install the top plate over the pins.

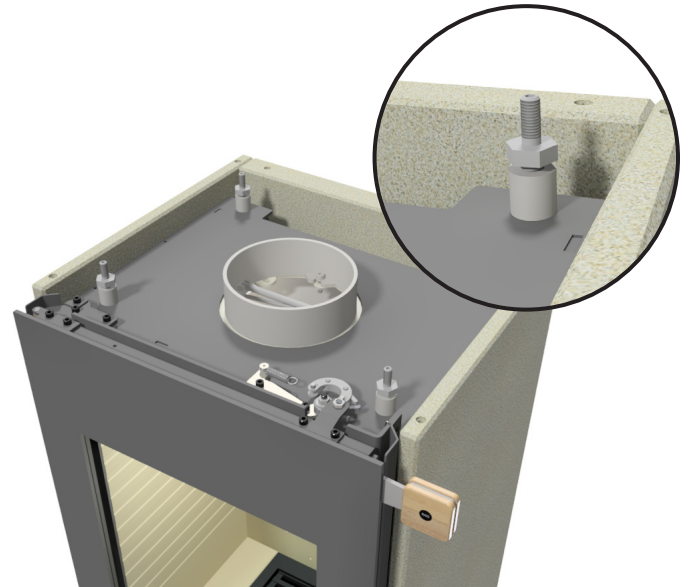


ENG

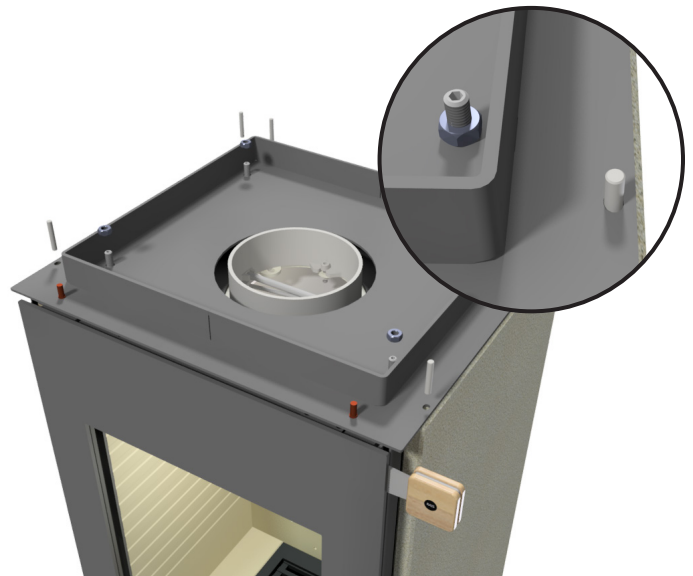
**INSTALLATION OF STONES - NEXO STONE 160**

This page shows the procedure for installing the top section for Nexo Stone 160.

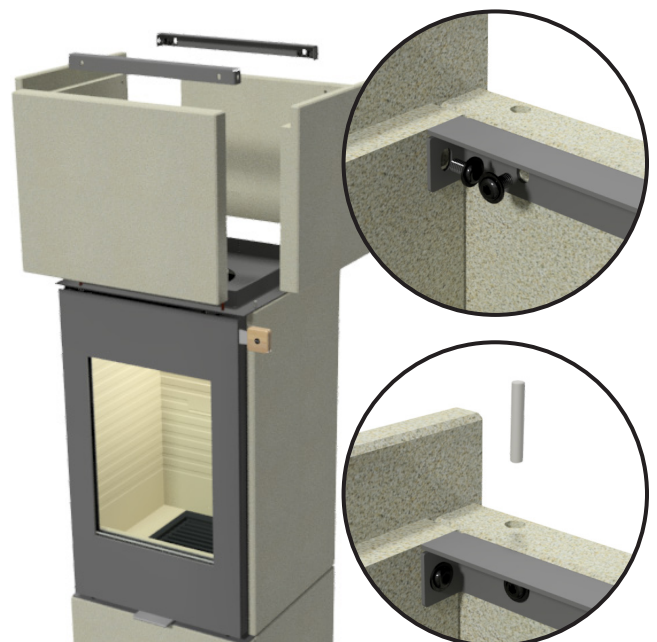
Once the sides and rear stones have been installed, the stove is ready for the top module to be installed. If the gap between the stones and the steel top bracket needs to be adjusted, the screws can be adjusted up or down.



Install the steel top bracket and pins (6 pcs.). Then install the nuts (4 pcs.).



Install the stones for the top module over the pins and screw them together using the two brackets and accompanying screws (8 pcs.). Insert the subsequent pins (2 pcs.) into the back plate.

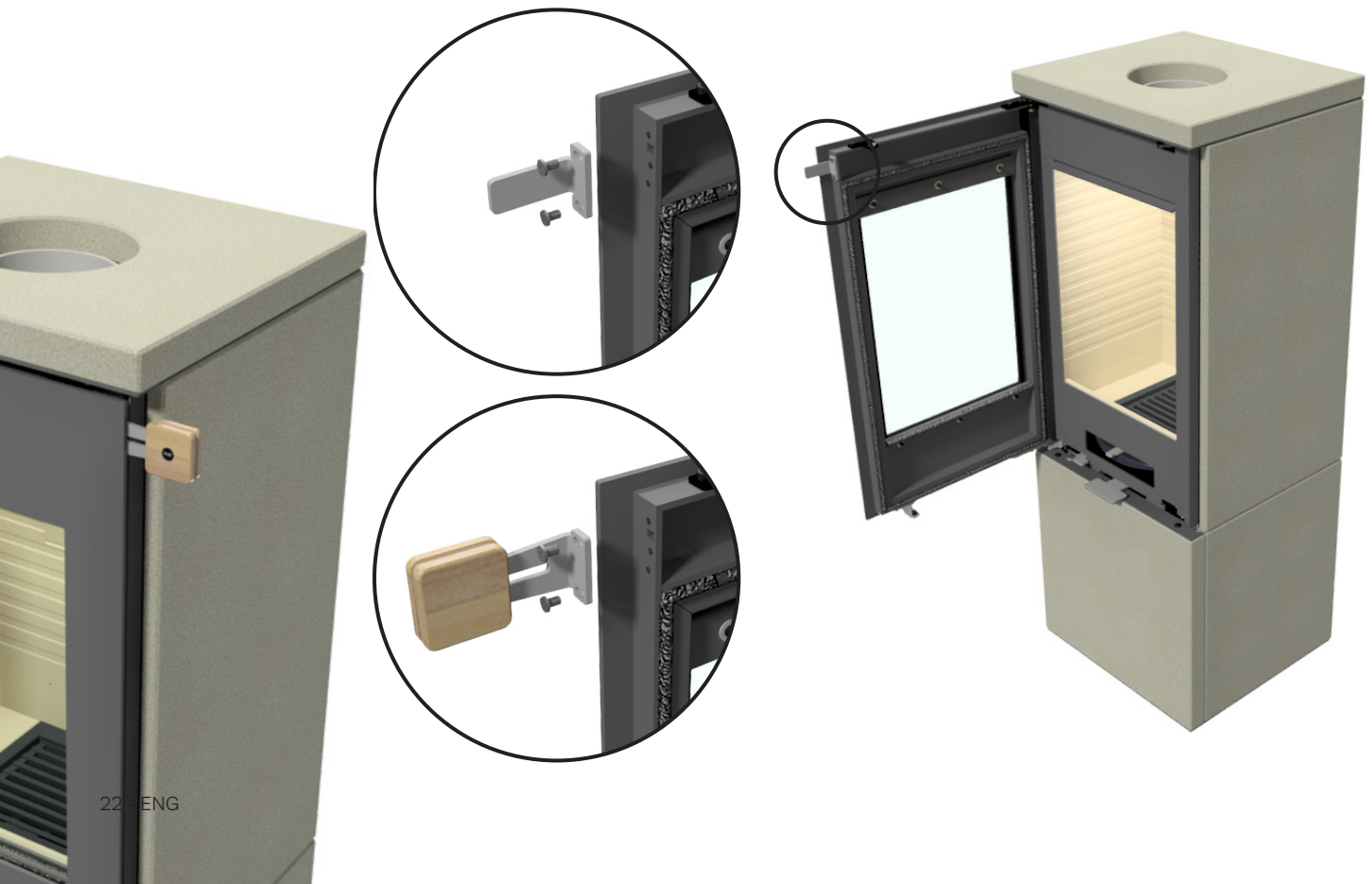


Finally, install the top plate over the pins.



**MOUNTING/CHANGING THE HANDLES**

On delivery, the stove is fitted with a temporary handle. This is removed by removing the screws. The new handle can then be mounted on the stove with the screws.



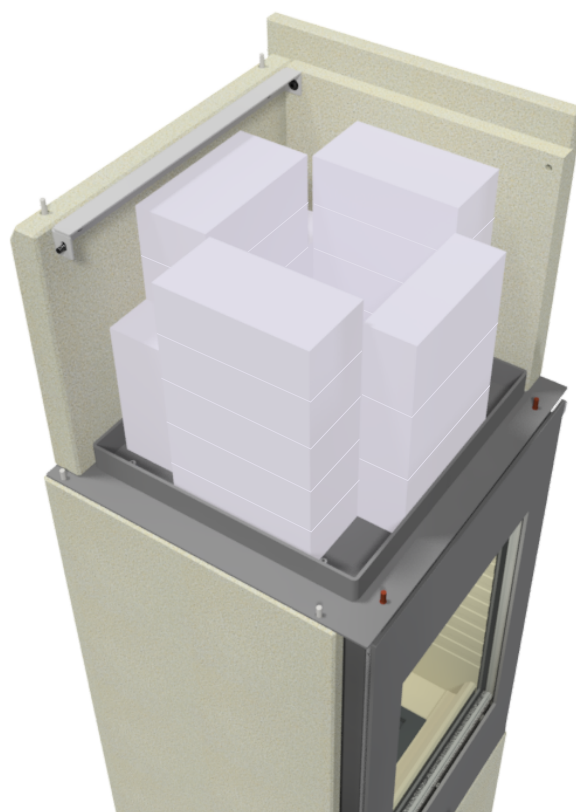
**HEAT ACCUMULATION STONES**

It is possible to install heat accumulation stones in the stove. Place the layers as shown in the picture.

Nexo Stone 120 - x

Nexo Stone 160 (Top outlet) - 60 kg. equivalent to 20 stones

Nexo Stone 160 (Rear outlet) - 72 kg. equivalent to 24 stones



When the stove is installed in a construction where direct combustion air is required, external air must be connected to the stove from the outside. All RAIS/attika stoves have the option to supply external air.

This external air supply is what we call AirSystem. The air intake for the system can be hidden by installing it

either in the floor or in the wall behind the stove. If you order a stove with AirSystem, it is installed before you receive it from us. All you have to do is connect it in your home.

The maximum length of the flex hose is 5 metres. It is important that it is not bent and folded around corners

ENG

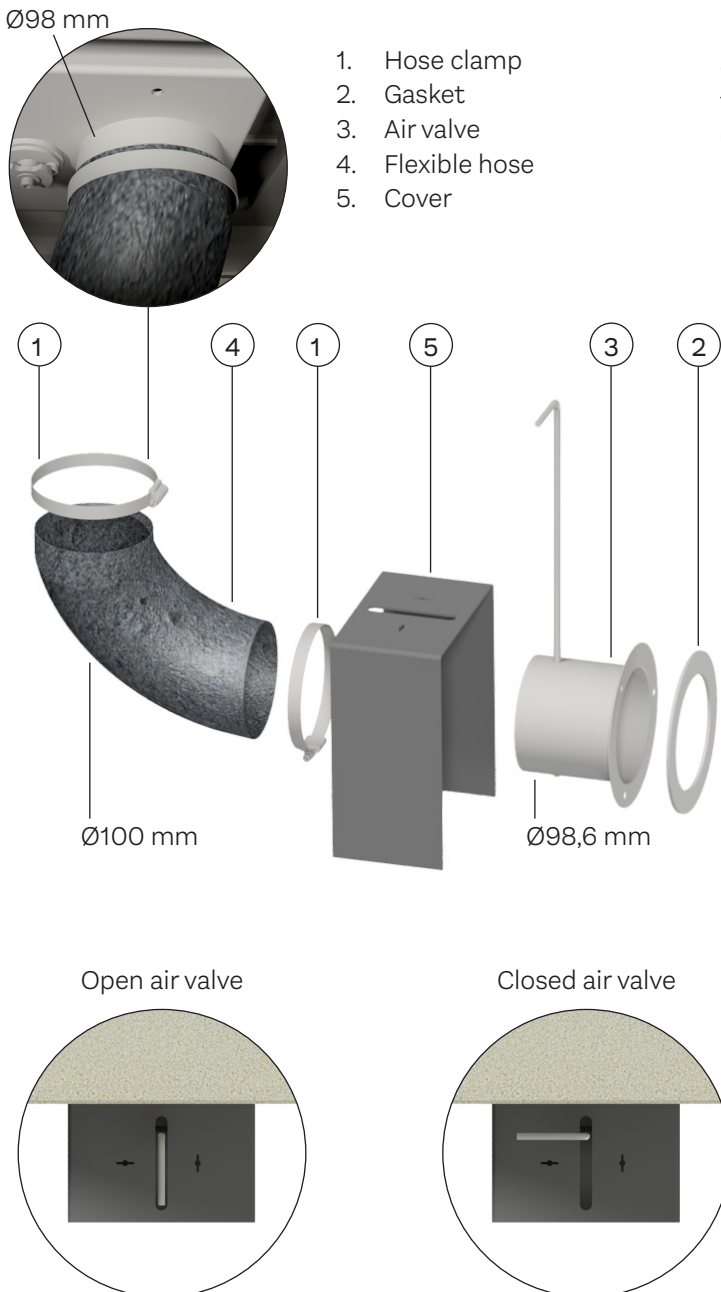
**ATTENTION!**

In countries where legislation does not allow closing the air supply, the damper plate in the air valve must be removed.



**AIR CONNECTION ON THE BACK**

When purchasing a stove with rear air connection, make sure that the hose clamp (1) and the flexible hose (4) are mounted on the connector in the damper. Remove the rear cover and install the stones. The front stone can be left on for a better view when connecting the AirSystem in the home. Pull the flex hose (4) out through the hole in the back stone. Mount the air valve (3) and gasket (2) on the wall above the hole leading to the outside. Mount the flex hose (4) and the hose clamp (1) on the air valve (3). Then fit the cover (5).



so that the tube collapses and the airflow cannot get through as intended.

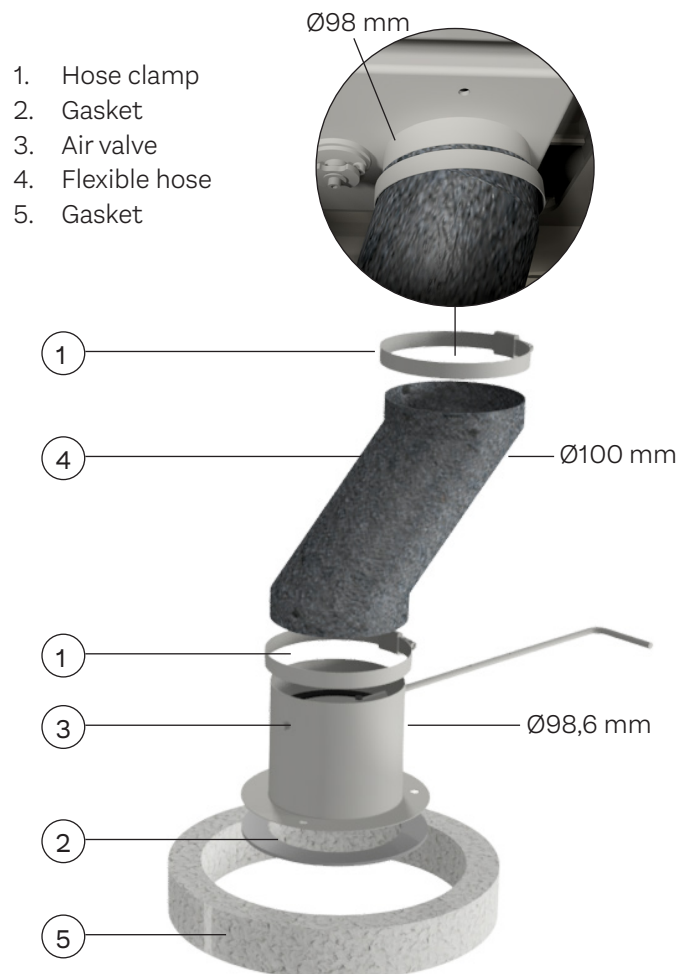
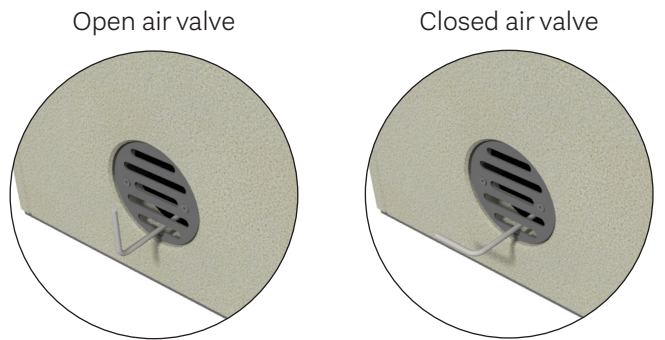
If the air supply is 5-10 metres from the stove, use a Ø120 mm flex hose instead.

The air valve must be set to the open position during

use to allow outside air to enter the stove. If the stove is unused for a period of time, you can close the air vent to prevent cold air from entering the installation room.

**AIR CONNECTION AT THE BOTTOM**

If you purchase a stove with air connection via the bottom, make sure that the hose clamp (1) and flex hose (4) are mounted on the spigot in the damper. Then fit the air valve (3) and gasket (2) over the hole in the base plate. Install the gasket (5) over the hole leading to the outside. Attach the stones. You can wait with the front stone so you have a better view when connecting the AirSystem in the home.



## CLEANING AND MAINTENANCE

It is important that the stove is cleaned and maintained both inside and out. When this is done, the stove must be cold. The stove should be inspected by a chimney sweep once a year. Always check the chimney and flue collar for blockages before a heating season. Inspect the exterior and interior of the stove for damage, especially gaskets and the thermal insulation plates (vermiculite).

The combustion chamber lining protects the stove from heat from the fire. Due to the large temperature variations, cracks may appear in the combustion chamber lining. These can last for several years and should be replaced if they start to crack. The plates are loosely placed inside the combustion chamber and can easily be replaced by you or your dealer. For detailed instructions on how to replace the plates or remove them to clean the flue, see the user manual.

Lubricating door hinges and door locks is a necessary maintenance task that should be done on a regular basis rather than just after damage has occurred. It is advised that you use only our lubricant spray; using other products may cause residue and odour to form. To obtain the lubricant, contact with your dealer.

## BLOCKING THE AIR INTAKE

The stove needs permanent and sufficient air in order to burn optimally and safely. The stove draws air from the gaps along the stove and under the stove, so it is important that there is air from the bottom edge to the floor. The levelling shoes must therefore not be adjusted all the way down so that no air can get under the stove. It is therefore important that the air intake areas are not blocked or closed, as the stove takes air from the room through these areas, among other things.



**PERMANENT AIR SUPPLY**

The appliance needs a permanent air supply to the room of installation as the appliance is over 5 kW, confer with Building regulation Approved Document J.

Permanently open air vents should be non-adjustable, sized to admit sufficient air for the purpose intended and positioned where they are unlikely to become blocked. see Approved Document J.

A CO Alarm must be fitted into the same room as the appliance upon installation. The alarm shall be compliant with British Standards BS 50291. Where battery powered alarms are selected, alarms with 'sealed for life' batteries rather than alarms with replaceable batteries are the better option.

**THE CLEAN AIR ACT 1993 AND SMOKE CONTROL AREAS**

Under the clean air act local authorities may declare the whole or part of the district of the authority to be a smoke control area. It is an offence to emit smoke from a chimney of a building, from a furnace or from any fixed boiler if located in a designated smoke control area. It is also an offence to acquire an "unauthorised fuel" for use within a smoke control area unless it is used in an "exempt" appliance ("exempted" from the controls which generally apply in the smoke control area).

In England appliances are exempted by publication on a list by the secretary of state in accordance with changes made to sections 20 and 21 of the clean air act 1993 by section 15 of the deregulation act 2015. In Scotland appliances are exempted by publication on a list by Scottish ministers under section 50 of the regulatory reform (Scotland) act 2014. Similarly, in Northern Ireland appliances are exempted by publication on a list by the department of agriculture, environment and rural affairs under section 16 of the environmental better regulation act (Northern Ireland) 2016. In Wales appliances are exempted by regulations made by Welsh ministers.

The secretary of state for environment, food and rural affairs has powers under the act to authorize smokeless fuels or exempt appliances for use in smoke control areas in England. In Scotland and Wales this power rests with the ministers in the devolved administrations for those countries. Separate legislation, the clean air (Northern Ireland) order 1981, applies in Northern Ireland. Therefore it is a requirement that fuels burnt or obtained for use in smoke control areas have been "authorised" in regulations and that appliances used to burn solid fuel in those areas (other than "authorised"

fuels) have been exempted by an order made and signed by the secretary of state or minister in the devolved administrations.

The Nexo Stone (All variants) have been recommended as suitable for use in smoke control areas when burning wood logs.

**FUEL OVERLOADING**

The maximum amount of fuel specified in this manual should not be exceeded, overloading can cause excess smoke.

**REFUELLING ON TO A LOW FIRE BED**

If there is insufficient burning material in the firebed to light a new fuel charge, excessive smoke emission can occur. Refuelling must be carried out onto a sufficient quantity of glowing embers and ash that the new fuel charge will ignite in a reasonable period. If there are too few embers in the fire bed add suitable kindling to prevent excess smoke.

**DAMPERS LEFT OPEN**

Operation with the air control or appliance dampers open can cause excess smoke. The appliance must not be operated with air controls, appliance dampers or door left open except as directed in the instructions.

**OPERATION WITH DOOR LEFT OPEN**

Operation with the door open can cause excess smoke. The appliance must not be operated with the appliance door left open except as directed in the instructions.

**ATTENTION!**

This page is only relevant for appliances installed in United Kingdom.



Article number: 15-6522ENG



5 708252 442221

**RAIS**<sup>®</sup>

RAIS A/S  
Industrivej 20  
DK-9900 Frederikshavn  
Denmark  
[www.rais.com](http://www.rais.com)

**attika**<sup>®</sup>  
FEUERKULTUR

ATTIKA FEUER AG  
Brunnmatt 16  
CH-6330 Cham  
Switzerland  
[www.attika.ch](http://www.attika.ch)